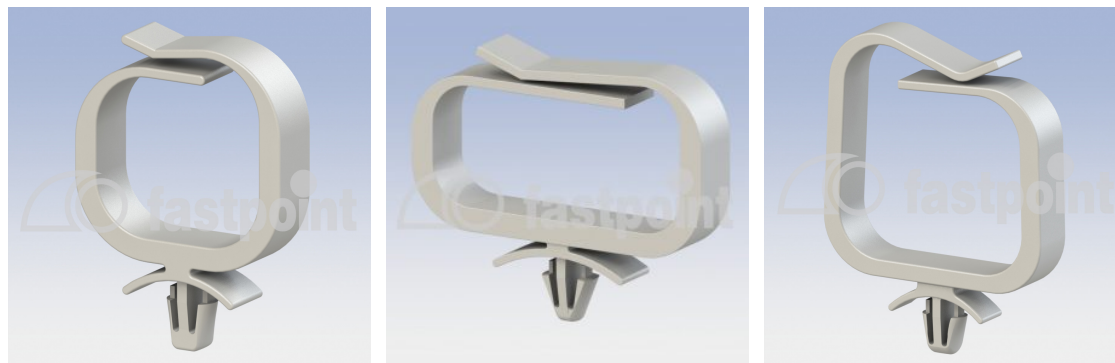


CABLE HOLDER WITH HOLE FROM Ø 4,8 TO 7,8 MM



Technical description

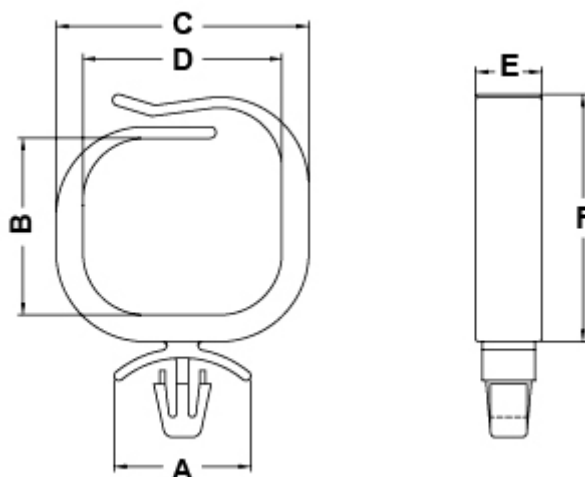
Material: PA 6.6

Colour: See table

Flammability: V2 (UL 94)

Working temperature: -35°C+85°C

All dimensions are in mm.



Code	A	B	C	D	E	F	Mounting hole	Thickness	Colour	MOQ-Pcs
10976AA00	18,0	15,0	40,0	34,0	7,0	21,1	Ø 4,8	0,8 - 2,0	Naturale	250
10977AA01	16,0	35,0	46,0	40,0	7,0	45,0	Ø 4,8	0,8 - 2,0	Nero	2.000
10978AA00	19,0	24,8	34,3	28,6	6,95	34,2	7,8	0,8 - 2,0	Naturale	250
10979AA00	14,8	25,0	34,3	28,6	6,95	34,4	Ø 4,8	0,8 - 2,0	Naturale	1.000
8235AA00	14,3	18,5	26,4	20,8	6,9	25,9	Ø 4,8 - 5,0	0,8 - 2,0	Naturale o nero	250