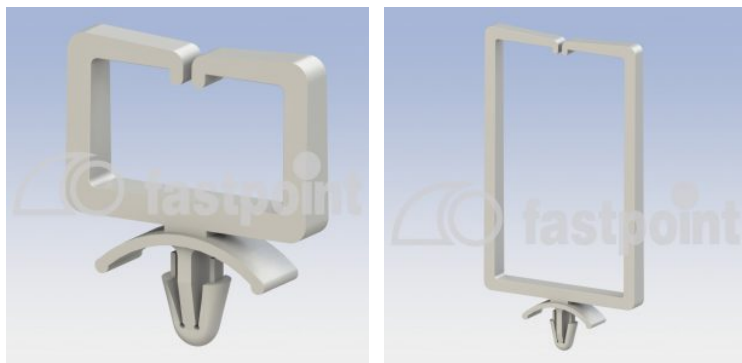


## CABLE HOLDER WITH HOLE FROM Ø 4,8 TO 5,0 MM



### Technical description

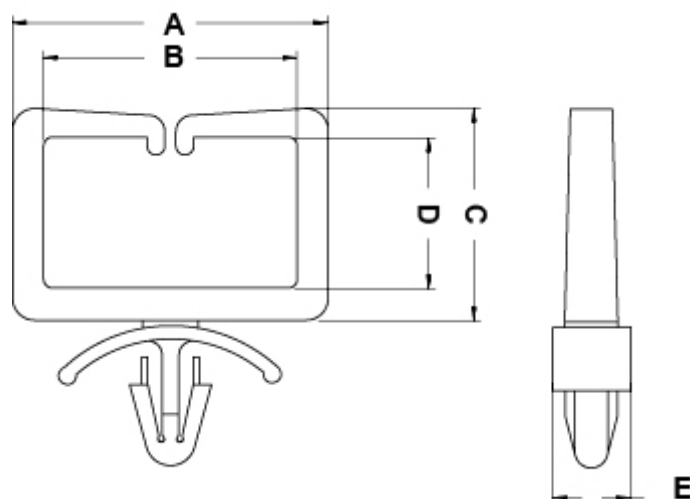
**Material:** PA 6.6

**Colour:** natural

**Flammability:** V2 (UL 94)

**Working Temperature:** -35°C+85°C

All dimensions are in mm.



Code	A	B	C	D	E	F	Mounting hole	Thickness	MOQ-Pcs
10971AA00	28,5	22,9	19,2	13,6	7,0	4,8	Ø 4,8 - 5,0	1,1 - 3,5	500
10972AA00	42,0	36,0	66,0	60,3	7,0	4,8	Ø 4,8 - 5,0	0,8 - 4,0	100