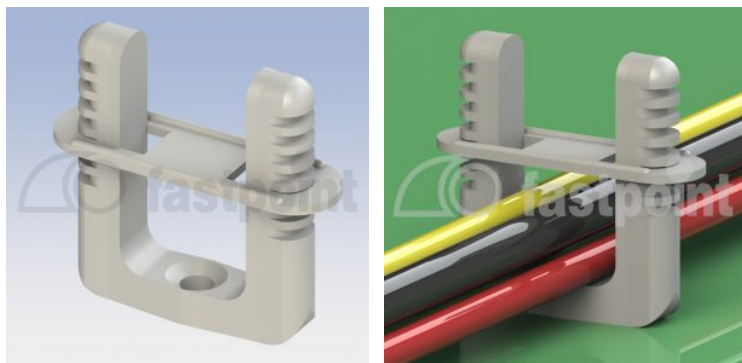


## CABLE HOLDER RELEASABLE



### Technical description

**Material:** PA 6.6

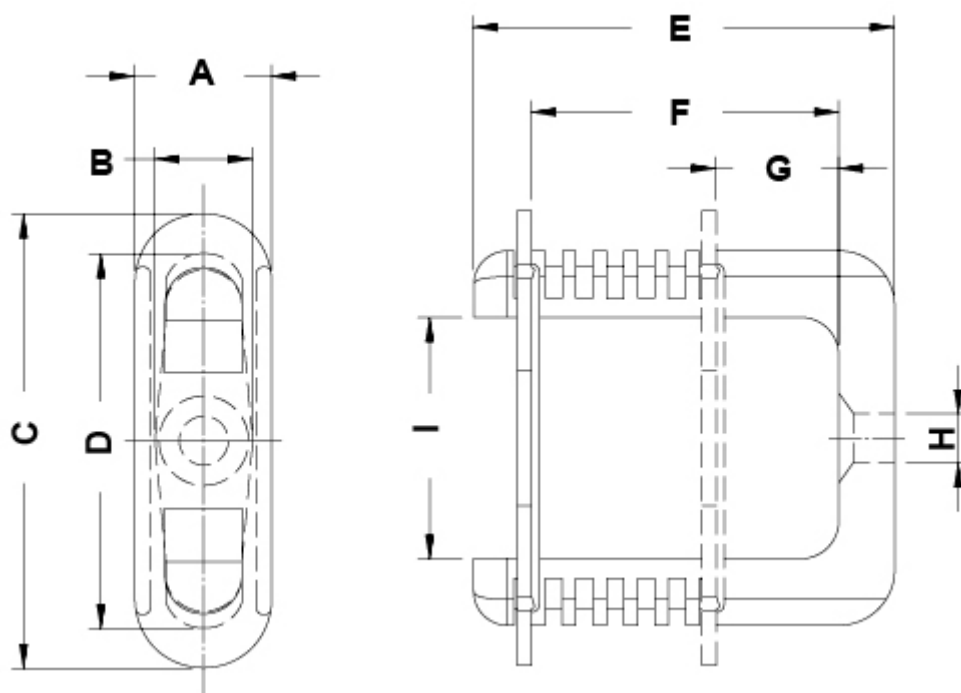
**Colour:** natural

**Flammability:** V2 (UL 94)

**Working temperature:** -35°C ~ +85°C

The parts are delivered dismantled.

All dimensions are in mm



Code	A	B	C	D	E	F	G	H	I	MOQ-Pcs
10962AA00	14,2	10,1	47,2	38,9	43,7	31,9	12,7	Ø 5,1	25,1	100
10963AA00	17,8	11,2	62,7	55,2	56,6	41,7	15,9	Ø 5,1	37,0	100