

CABLE HOLDER LATERAL LOCKING WITH HOLE FROM Ø 6,2 TO 6,7 MM



Technical description

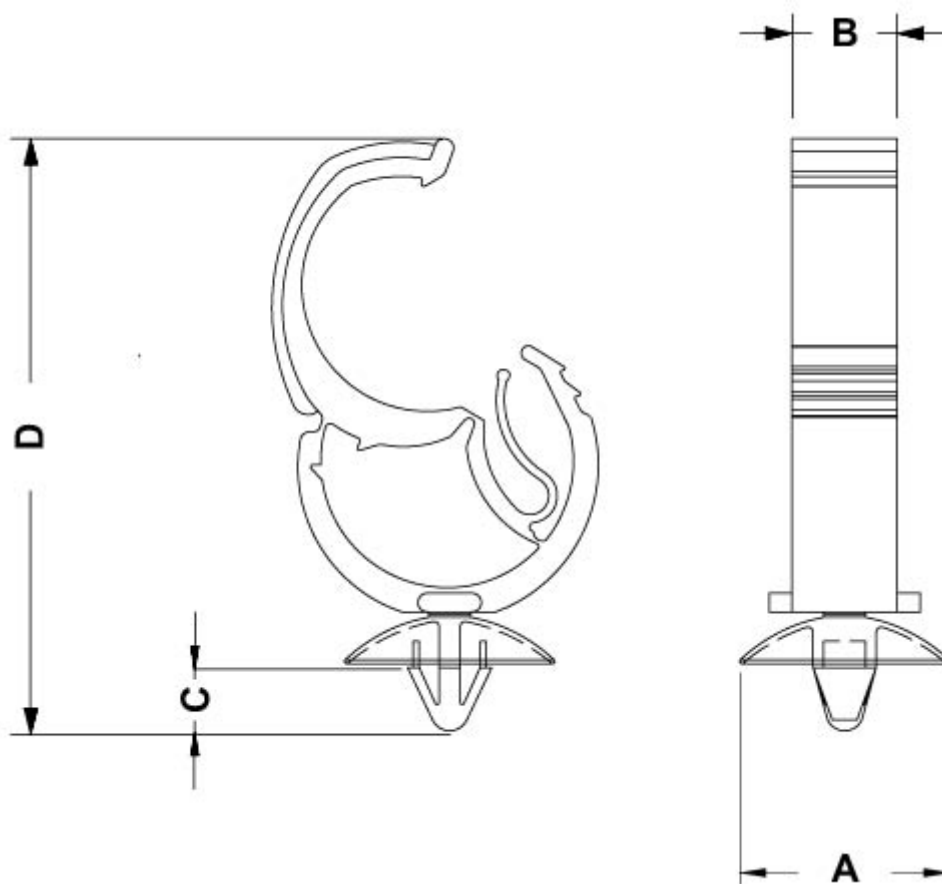
Material: PA 6.6

Colour: black

UL Flammability: V2 (UL 94)

Working temperature: -25°C ~ +85°C

All dimensions are in mm.



Code	A	B	C	D	Mounting hole	Thickness	Max cable	MOQ-Pcs
8495AA01	Ø 20,0	10,0	6,0	56,3	Ø 6,2 - 6,7	0,5 - 2,0	Ø 20,0	1.000