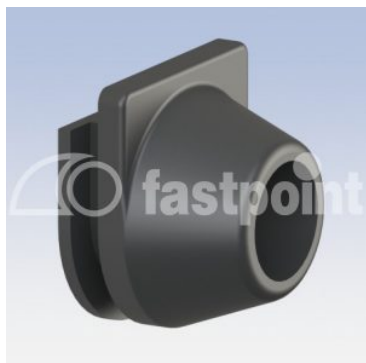


# CABLE GROMMETS



## Technical description

**Material:** PVC

**UL Flammability:** HB (UL94)

**Color:** black

**By special request:** white

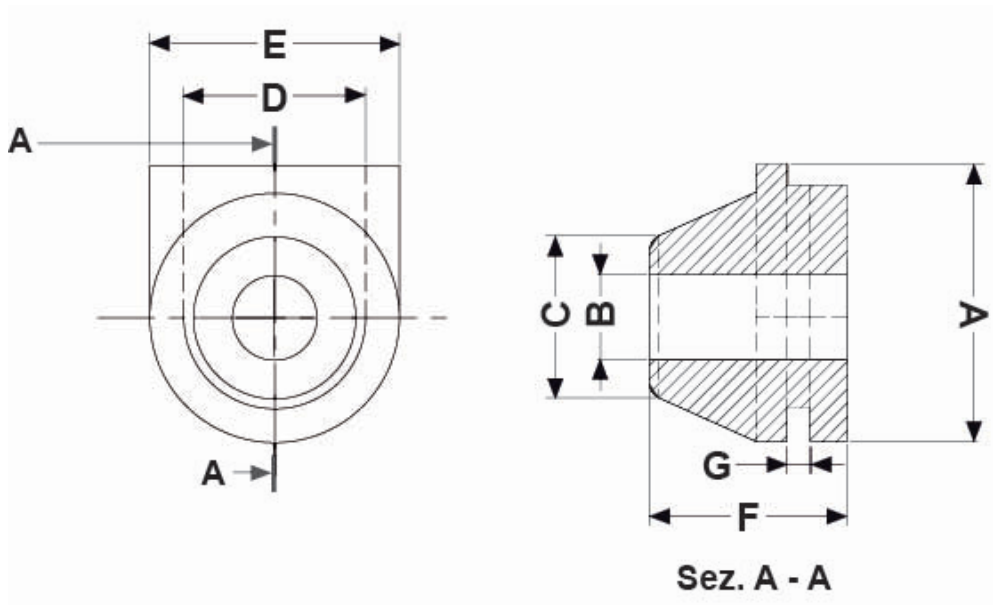
**Working temperature:**

**-PVC:** -25°C ~ +60°C

**-TPE:** -28°C ~ +90°C

**By special request:** available in TPE

All dimensions are in mm.



| Code      | A    | B   | C    | D    | E    | F    | G   | MOQ-Pcs |
|-----------|------|-----|------|------|------|------|-----|---------|
| 10946CA01 | 17,5 | 8,0 | 10,2 | 11,0 | 16,0 | 12,0 | 2,0 | 1.000   |