

CABLE GROMMETS WITH MEMBRANE



Technical description

Material: PVC

BY special request: available in TPE

Flammability: HB (UL94)

Colour: black

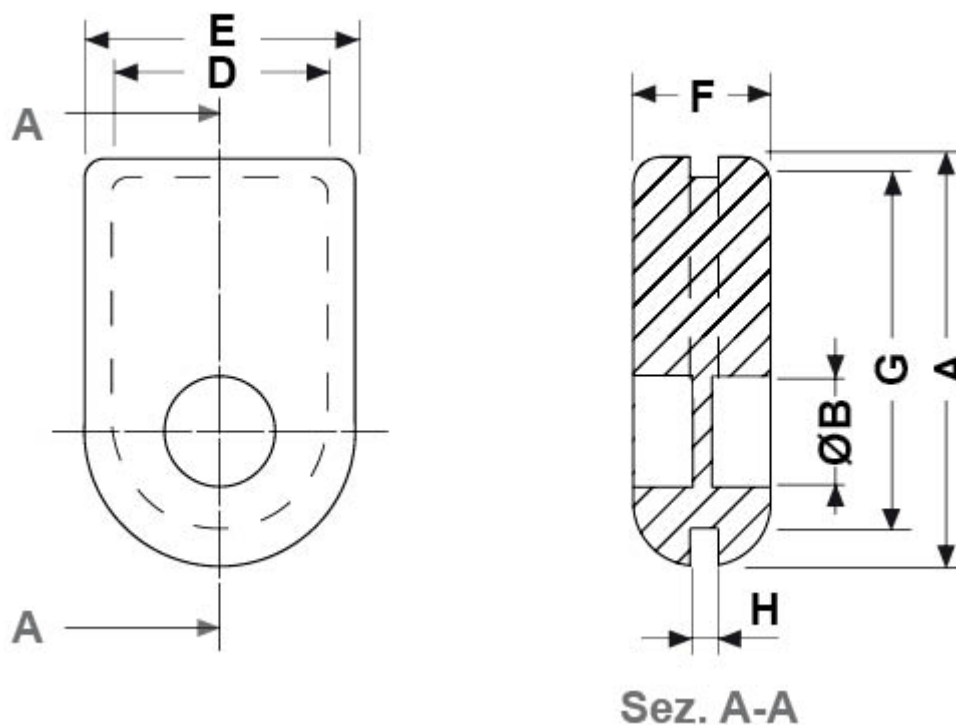
By special request: colour white

Working temperature:

-PVC: -25°C ~ +60°C

-TPE: -28°C ~ +90°C

All dimensions are in mm



Code	A	B	D	E	F	G	H	MOQ-Pcs
3550CA01M	33,0	Ø 13,8	20,0	28,0	7,0	28,0	2,0	1.000