

CABLE GROMMET WITH MEMBRANE



Technical description

Material: PVC

By special request: available in TPE

Flammability: HB (UL94)

Color: black

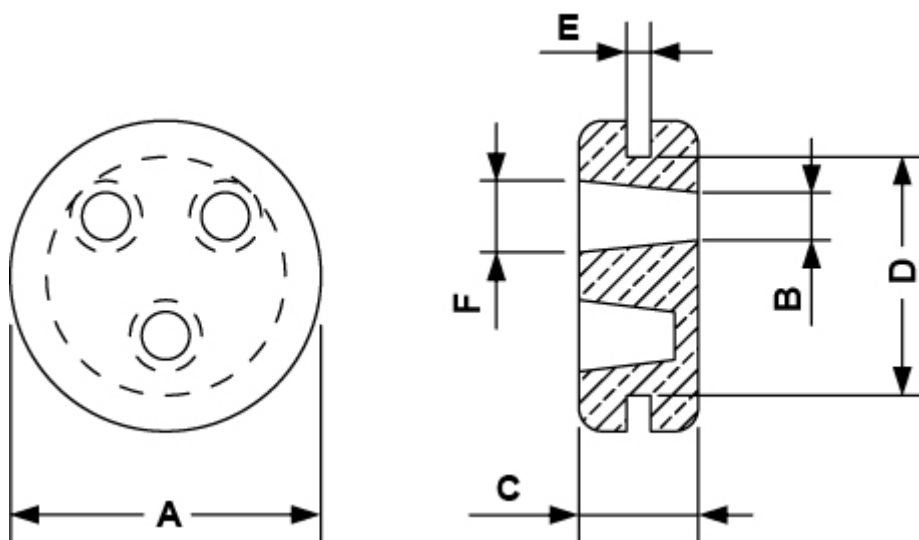
By special request: available in white

Working temperature:

-PVC: -25°C ~ +60°C

-TPE: -28°C ~ +90°C

All dimensions are in mm



Code	A	B	C	D	E	F	N. fori chiusi	MOQ-Pcs
10900CA01	13,0	2,0	5,0	10,0	1,0	3,0	1,0	1.000
10901CA01	13,0	2,0	6,0	10,0	2,0	3,0	1,0	1.000
10902CA01	13,0	2,0	7,0	10,0	3,0	3,0	1,0	1.000
10904CA01	13,0	2,0	5,0	10,0	1,0	3,0	2,0	1.000
10906CA01	13,0	2,0	5,0	10,0	1,0	3,0	3,0	1.000

Code	A	B	C	D	E	F	N. fori chiusi	MOQ-Pcs
10908CA01	13,0	2,0	7,0	10,0	3,0	3,0	3,0	1.000
10909CA01	13,0	2,0	5,0	10,0	1,0	3,0	0,0	1.000
10910CA01	13,0	2,0	6,0	10,0	2,0	3,0	0,0	1.000
10911CA01	13,0	2,0	7,0	10,0	3,0	3,0	0,0	1.000
13171CA01								
13280CA01	13,0	2,0	6,0	10,0	2,0	3,0	2,0	1.000
5393CA01	13,0	2,0	6,0	10,0	2,0	3,0	3,0	1.000
5480CA01	13,0	2,0	7,0	10,0	3,0	3,0	2,0	1.000