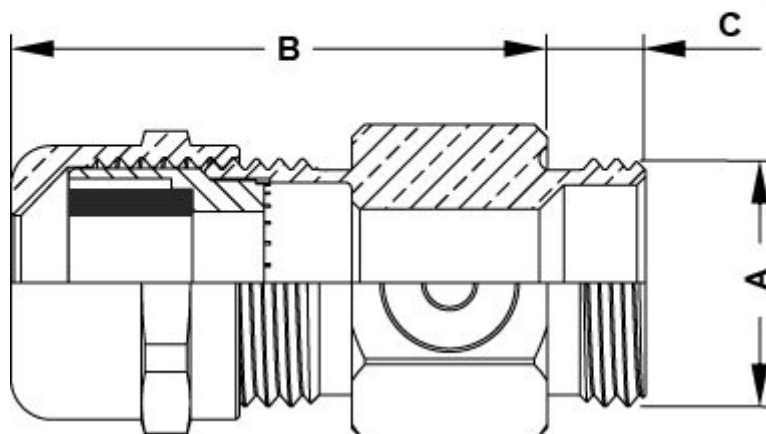


BRASS VENTILATION GLANDS PG IP68



Technical description

Gland body material: Brass nickel plated **Sealing ring:** TPV **O-ring:** NBR - EPDM **Working temperature:** -20°C ~ +100°C **Protection grade:** IP68 **PG according DIN 40430** All dimensions are in mm



Code	A	B	C	Ø cable diameter	Mounting hole	Average Air Flow l/H	Water intrusion	MOQ-Pcs
13235MA92	PG 7	31,5	6,0	4 - 8	Ø 13,0	70,0	0,1	100
13236MA92	PG 7	31,5	8,0	4 - 8	Ø 13,0	70,0	0,1	100
13237MA92	PG 9	31,5	6,0	4 - 8	Ø 15,5	70,0	0,1	100
13238MA92	PG 9	31,5	8,0	4 - 8	Ø 15,5	70,0	0,1	100
13239MA92	PG 11	33,5	6,0	5 - 10	Ø 19,0	70,0	0,1	100
13240MA92	PG 11	35,0	8,0	5 - 10	Ø 19,0	70,0	0,1	100
13241MA92	PG 13.5	35,0	6,5	6 - 12	Ø 21,0	70,0	0,1	100

Code	A	B	C	Ø cable diameter	Mounting hole	Average Air Flow I/H	Water intrusion	MOQ-Pcs
13242MA92	PG 13.5	35,0	8,0	6 - 12	Ø 21,0	70,0	0,1	100