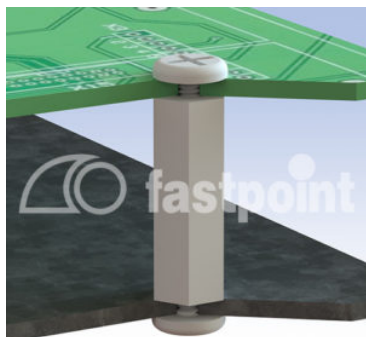
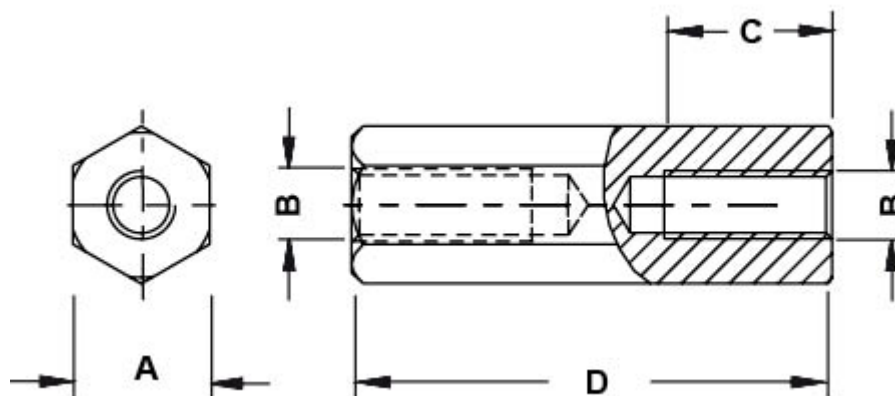


BRASS SPACERS F/F M4



Technical description

Material: Nickel plated brass T: through hole All dimensions are in mm *Add desired length to the end of the part number to order Ordering example: 10834MA9208.0 for 10834MA92 spacer with 8.0 mm height



Code	A	B	C	D	MOQ-Pcs
10834MA9205.0	SW 7.0	M4	T	5,0	100
10834MA9206.0	SW 7.0	M4	T	6,0	100
10834MA9207.0	SW 7.0	M4	T	7,0	100
10834MA9208.0	SW 7.0	M4	T	8,0	100
10834MA9209.0	SW 7.0	M4	T	9,0	100
10834MA9210.0	SW 7.0	M4	T	10,0	100
10834MA9211.0	SW 7.0	M4	T	11,0	100
10834MA9212.0	SW 7.0	M4	T	12,0	100
10834MA9213.0	SW 7.0	M4	T	13,0	100
10834MA9214.0	SW 7.0	M4	T	14,0	100
10834MA9215.0	SW 7.0	M4	T	15,0	100
10834MA9216.0	SW 7.0	M4	8,0	16,0	100

Code	A	B	C	D	MOQ-Pcs
10834MA9217.0	SW 7.0	M4	8,0	17,0	100
10834MA9218.0	SW 7.0	M4	8,0	18,0	100
10834MA9219.0	SW 7.0	M4	8,0	19,0	100
10834MA9220.0	SW 7.0	M4	8,0	20,0	100
10834MA9221.0	SW 7.0	M4	10,0	21,0	100
10834MA9222.0	SW 7.0	M4	10,0	22,0	100
10834MA9223.0	SW 7.0	M4	10,0	23,0	100
10834MA9224.0	SW 7.0	M4	10,0	24,0	100
10834MA9225.0	SW 7.0	M4	10,0	25,0	100
10834MA9226.0	SW 7.0	M4	10,0	26,0	100
10834MA9227.0	SW 7.0	M4	10,0	27,0	100
10834MA9228.0	SW 7.0	M4	10,0	28,0	100
10834MA9229.0	SW 7.0	M4	10,0	29,0	100
10834MA9230.0	SW 7.0	M4	10,0	30,0	100