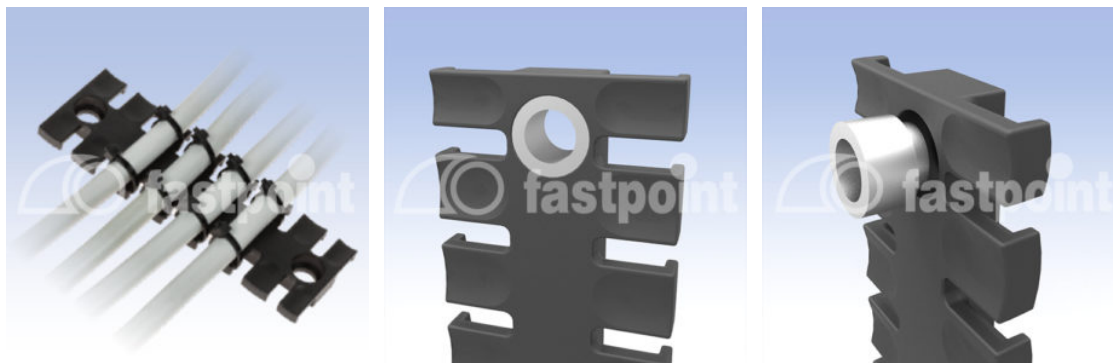
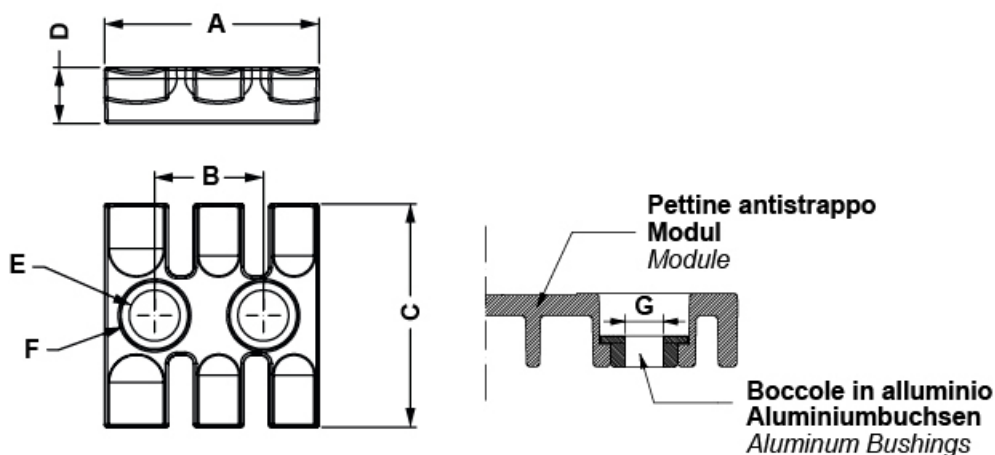


ALUMINUM BUSHINGS STRAIN RELIEF MODULES



Technical description

Material: PA 6.6 **Colour:** Black **Flammability:** V0 (UL94) **Working temperature:** -40°C ~ +140°C **All dimensions are in mm**



Code	A	B	C	D	E	F	G	MOQ-Pcs
16331AA01	38,5	19,5	40,0	10,0	Ø9,1	Ø12,0	M4	10
16332AA01	59,5	43,5	40,0	10,0	Ø9,1	Ø12,0	M4	10
16333AA01	69,1	43,5	40,0	10,0	Ø9,1	Ø12,0	M4	10
16334AA01	86,5	68,0	40,0	10,0	Ø9,1	Ø12,0	M4	10
16335AA01	102,5	84,0	40,0	10,0	Ø9,1	Ø12,0	M4	10
16336AA01	121,0	102,5	40,0	10,0	Ø9,1	Ø12,0	M4	10
16337AA01	139,5	121,0	40,0	10,0	Ø9,1	Ø12,0	M4	10
16338AA01	180,0	157,0	40,0	10,0	Ø9,1	Ø12,0	M4	10
16339AA01	38,5	19,5	40,0	10,0	Ø9,1	Ø12,0	M5	10
16340AA01	59,5	43,5	40,0	10,0	Ø9,1	Ø12,0	M5	10
16341AA01	69,1	43,5	40,0	10,0	Ø9,1	Ø12,0	M5	10

Code	A	B	C	D	E	F	G	MOQ-Pcs
16342AA01	86,5	68,0	40,0	10,0	Ø9,1	Ø12,0	M5	10
16343AA01	102,5	84,0	40,0	10,0	Ø9,1	Ø12,0	M5	10
16344AA01	121,0	102,5	40,0	10,0	Ø9,1	Ø12,0	M5	10
16345AA01	139,5	121,0	40,0	10,0	Ø9,1	Ø12,0	M5	10
16346AA01	180,0	157,0	40,0	10,0	Ø9,1	Ø12,0	M5	10
16347AA01	38,5	19,5	40,0	10,0	Ø9,1	Ø12,0	M6	10
16348AA01	59,5	43,5	40,0	10,0	Ø9,1	Ø12,0	M6	10
16349AA01	69,1	43,5	40,0	10,0	Ø9,1	Ø12,0	M6	10
16350AA01	86,5	68,0	40,0	10,0	Ø9,1	Ø12,0	M6	10
16351AA01	102,5	84,0	40,0	10,0	Ø9,1	Ø12,0	M6	10
16352AA01	121,0	102,5	40,0	10,0	Ø9,1	Ø12,0	M6	10
16353AA01	139,5	121,0	40,0	10,0	Ø9,1	Ø12,0	M6	10
16354AA01	180,0	157,0	40,0	10,0	Ø9,1	Ø12,0	M6	10