

VERSCHLUSSTOPFEN EINFACH



Technische Beschreibung

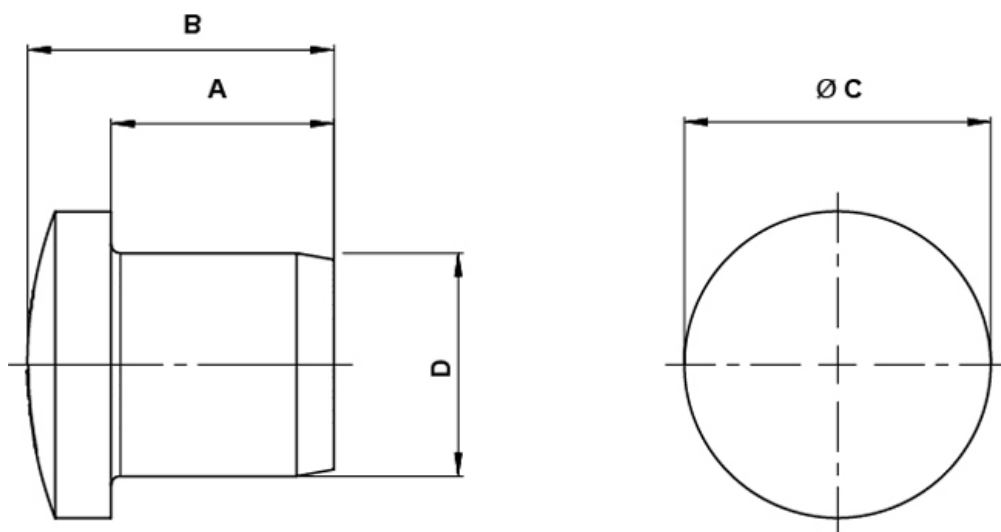
Material: PA 6 GV 30

Entflammbarkeit: HB (UL94)

Betriebstemperatur: -30°C ~ +100°C

Farbe: Siehe Tabelle - RAL 7001 auf Anfrage möglich

Alle Maße in mm



| Artikel | A | B | C | D | Farbe | Dimensioni | VPE-Stckz. |
|--------------|------|------|------|------|----------|------------|------------|
| 8889BB019005 | 9,0 | 12,5 | 10,0 | 5,5 | RAL 9005 | M12 | 50 |
| 8889BB117035 | 9,0 | 12,5 | 10,0 | 5,5 | RAL 7035 | M12 | 50 |
| 8890BB019005 | 12,0 | 16,0 | 13,5 | 9,5 | RAL 9005 | M16 | 50 |
| 8890BB117035 | 12,0 | 16,0 | 13,5 | 9,5 | RAL 7035 | M16 | 50 |
| 8891BB019005 | 12,0 | 16,5 | 16,5 | 12,0 | RAL 9005 | M20 | 50 |
| 8891BB117035 | 12,0 | 16,5 | 16,5 | 12,0 | RAL 7035 | M20 | 50 |

| Artikel | A | B | C | D | Farbe | Dimensioni | VPE-Stckz. |
|--------------|------|------|------|------|----------|------------|------------|
| 8892BB019005 | 15,0 | 19,5 | 20,5 | 16,0 | RAL 9005 | M25 | 50 |
| 8892BB117035 | 15,0 | 19,5 | 20,5 | 16,0 | RAL 7035 | M25 | 50 |
| 8893BB117035 | 17,0 | 21,5 | 24,5 | 20,0 | RAL 7035 | M32 | 25 |
| 8894BB117035 | 20,0 | 24,0 | 32,0 | 27,0 | RAL 7035 | M40 | 10 |
| 8895BB117035 | 25,0 | 29,0 | 39,0 | 35,0 | RAL 7035 | M50 | 5 |
| 8896BB117035 | 25,0 | 29,0 | 52,0 | 42,0 | RAL 7035 | M63 | 5 |