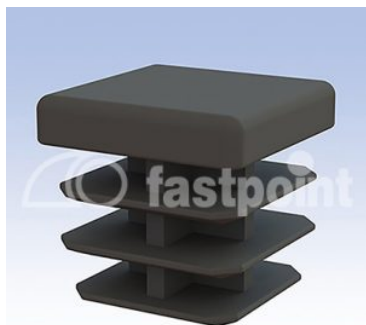


LAMELLENSTOPFEN FÜR QUADRATISCHE ROHRE



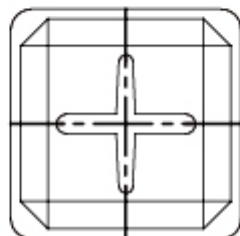
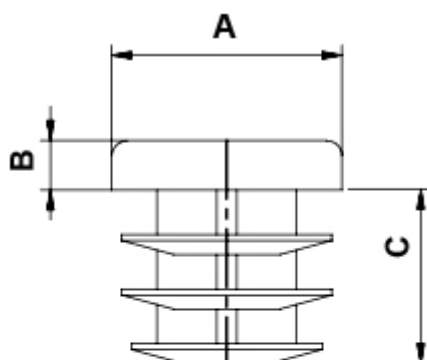
Technische Beschreibung

Material: Polyethylen LD-PE

Temperaturbereich: -30°C ~ +60°C

Farbe: Schwarz

*Alle Maße in mm



Artikel	A	B	C	VPE-Stckz.
3297EA01	12,0	5,0	12,0	1.000
3298EA01	15,0	4,0	11,0	1.000
3299EA01	16,0	5,0	17,0	1.000

Artikel	A	B	C	VPE-Stckz.
3300EA01	18,0	5,0	12,0	1.000
3301EA01	20,0	5,0	17,0	1.000
3302EA01	22,0	5,0	17,0	1.000
3303EA01	25,0	5,0	17,0	1.000
3304EA01	30,0	5,0	18,0	1.000
3305EA01	35,0	6,0	21,0	1.000
3306EA01	40,0	6,0	21,0	1.000
3307EA01	50,0	6,0	21,0	1.000
3308EA01	60,0	6,0	22,0	1.000