

KABELVERSCHRAUBUNGEN METRISCHES GEWINDE MESSING



Technische Beschreibung

Material (Verschraubungsmutter): Messing vernickelt

Material (Kabelverschraubung): Messing vernickelt

Material (Stützring): PA 6

Material (Dichtring): Neopren 65 SH A

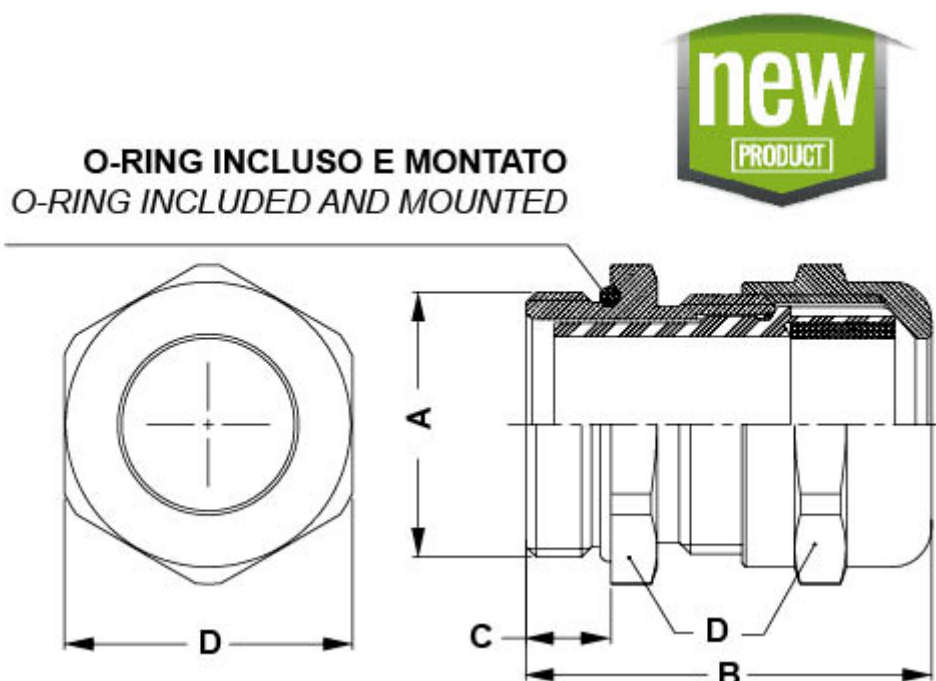
Material (O-Ring): Nitrile 70 SH A

Betriebstemperatur: -40°C ~ +100°C

Schutzart: IP68

Metrisches Gewinde

Alle Maße in mm



Artikel	A	B	C	D	Ø Kabeldurchmesser	VPE-Stckz.
15164MA92	M12	25,0	5,0	14,0	2,5 - 6,5	50
15165MA92	M16	28,0	5,0	17,0	4,0 - 9,5	50
15166MA92	M20	32,0	6,0	22,0	7,0 - 13,0	50
15167MA92	M25	35,0	7,0	27,0	8,0 - 16,0	25
15168MA92	M32	38,0	8,0	34,0	11,0 - 21,0	20
15169MA92	M40	41,0	8,0	42,0	15,0 - 27,0	10
15170MA92	M50	46,0	9,0	55,0	22,0 - 35,0	5
15171MA92	M63	54,0	10,0	65,0	35,0 - 48,0	5