

EMV KABELVERSCHRAUBUNG MESSING METRISCH



Technische Beschreibung

Material (Verschraubungsmutter): Messing vernickelt

Material (Kabelverschraubung): Messing vernickelt

Material (Stützring): PA 6

Material (Dichtring): Neopren 65 SH A

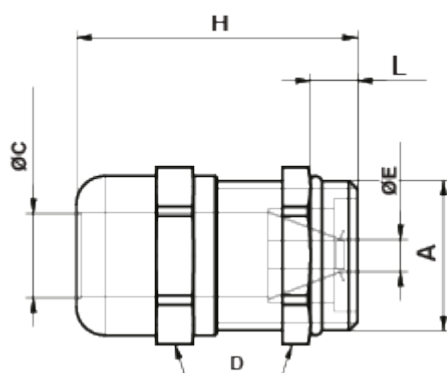
Material (O-Ring): Nitrile 70 SH A

Temperaturbereich: -40°C ~ +100°C

Schutzart: IP68

Metrisches Gewinde

*Alle Maße in mm



Artikel	A	C	E	L	D	H	VPE-Stckz.
18575MA92	M16x1,5	5,0-9,0	Ø 2,0 - 8,0	5,0	17,0	30,0	100
18576MA92	M20x1,5	9,0-13,0	Ø 3,0 - 11,0	6,0	22,0	33,5	100
18577MA92	M25x1,5	11,0-16,0	Ø 8,0 - 14,0	7,0	27,0	36,5	50
18578MA92	M32x1,5	14,0-20,0	Ø 10,0 - 19,0	8,0	34,0	38,0	25
18579MA92	M40x1,5	19,0-27,0	Ø 15,0 - 25,0	8,0	43,0	41,0	10

Artikel	A	C	E	L	D	H	VPE-Stckz.
18580MA92	M50x1,5	24,0-35,0	Ø 22,0 - 33,0	9,0	55,0	49,5	5
18581MA92	M63x1,5	32,0-42,0	Ø 31,0 - 40,0	10,0	65,0	52,5	5