

# KABELVERSCHRAUBUNG KUNSTSTOFF METRISCH ATEX



## Technische Beschreibung

**Material:** PA 6

**Entflammbarkeit:** V2 (UL94)

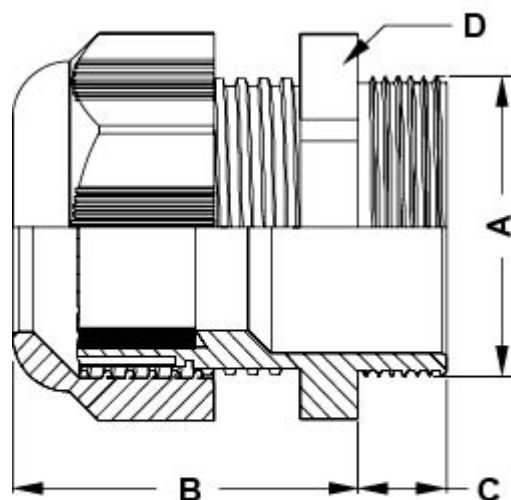
**Betriebstemperatur:** -30°C ~ +100°C

**Schutzart:** IP68

**Farbe:** Siehe Tabelle

Metrisch nach EN 60423

Alle Maße in mm



**Modo di protezione / Type of protection**  
 II 2G Ex eb IIc Gb  
 II 2D Ex tb IIIc Db

Artikel	A	B	C	D	Ø Kabeldurchmesser	Farbe	VPE-Stckz.
15042AA019005	M12 x 1,5	24,0	8,0	15,0	3,0 - 6,5	RAL 9005	200
15043AA019005	M16 x 1,5	28,0	8,0	19,0	4,0 - 8,0	RAL 9005	200
15044AA019005	M16 x 1,5	29,0	10,0	22,0	5,0 - 10,0	RAL 9005	200
15045AA019005	M20 x 1,5	29,0	10,0	24,0	4,0 - 10,0	RAL 9005	200
15046AA019005	M20 x 1,5	29,0	10,0	24,0	6,0 - 12,0	RAL 9005	200
15047AA019005	M20 x 1,5	33,0	10,0	27,0	10,0 - 14,0	RAL 9005	200
15048AA019005	M25 x 1,5	38,0	10,0	33,0	9,0 - 17,0	RAL 9005	150
15049AA019005	M25 x 1,5	38,0	10,0	33,0	13,0 - 18,0	RAL 9005	150
15050AA019005	M32 x 1,5	41,0	10,0	42,0	18,0 - 25,0	RAL 9005	100
15051AA019005	M40 x 1,5	51,0	10,0	53,0	22,0 - 32,0	RAL 9005	50
15052AA019005	M50 x 1,5	53,0	18,0	60,0	30,0 - 38,0	RAL 9005	25
15053AA019005	M63 x 1,5	55,0	18,0	70,0	34,0 - 44,0	RAL 9005	25
15054AA085015	M12 x 1,5	24,0	8,0	15,0	3,0 - 6,5	RAL 5012	200
15055AA085015	M16 x 1,5	28,0	8,0	19,0	4,0 - 8,0	RAL 5012	200
15056AA085015	M16 x 1,5	29,0	10,0	22,0	5,0 - 10,0	RAL 5012	200
15057AA085015	M20 x 1,5	29,0	10,0	24,0	4,0 - 10,0	RAL 5012	200
15058AA085015	M20 x 1,5	29,0	10,0	24,0	6,0 - 12,0	RAL 5012	200
15059AA085015	M20 x 1,5	33,0	10,0	27,0	10,0 - 14,0	RAL 5012	200
15060AA085015	M25 x 1,5	38,0	10,0	33,0	9,0 - 17,0	RAL 5012	150
15061AA085015	M25 x 1,5	38,0	10,0	33,0	13,0 - 18,0	RAL 5012	150
15062AA085015	M32 x 1,5	41,0	10,0	42,0	18,0 - 25,0	RAL 5012	100
15063AA085015	M40 x 1,5	51,0	10,0	53,0	22,0 - 32,0	RAL 5012	50
15064AA085015	M50 x 1,5	53,0	18,0	60,0	30,0 - 38,0	RAL 5012	25
15065AA085015	M63 x 1,5	55,0	18,0	70,0	34,0 - 44,0	RAL 5012	25