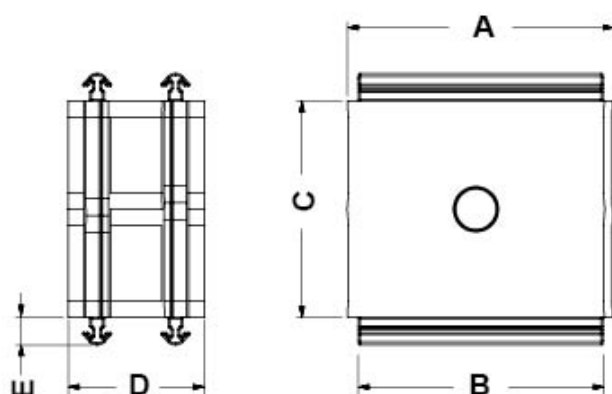


# GROSSE GESCHLOSSENE DICHTUNGSGEINSÄTZE BIS MAX Ø 32,0 KABEL



## Technische Beschreibung

Werkstoff: TPE Farbe: siehe Tabelle Selbstverlöschend: V0 (UL94) Betriebstemperatur: -40°C ~ +110°C Alle Abmessungen in mm



| Artikel   | A    | B    | C    | D    | E   | Ø Kabeldurchmesser | Farbe                  | VPE-Stckz. |
|-----------|------|------|------|------|-----|--------------------|------------------------|------------|
| 13562PS01 | 49,0 | 45,2 | 39,7 | 25,0 | 5,1 | Max. 32,0          | Nero - Black - Schwarz | 10         |
| 13562PS11 | 49,0 | 45,2 | 39,7 | 25,0 | 5,1 | Max. 32,0          | Grigio - Gray - Grau   | 10         |
| 18959PS11 | 49,0 | 45,2 | 39,7 | 25,0 | 5,1 | 16,0 - 22,0        | Grigio - Gray - Grau   | 10         |
| 18960PS11 | 49,0 | 45,2 | 39,7 | 25,0 | 5,1 | 23,0 - 26,0        | Grigio - Gray - Grau   | 10         |

| Artikel   | A    | B    | C    | D    | E   | Ø Kabeldurchmesser | Farbe                     | VPE-Stckz. |
|-----------|------|------|------|------|-----|--------------------|---------------------------|------------|
| 18961PS11 | 49,0 | 45,2 | 39,7 | 25,0 | 5,1 | 26,0 - 30,0        | Grigio - Gray -<br>Grau   | 10         |
| 18962PS01 | 49,0 | 45,2 | 39,7 | 25,0 | 5,1 | 16,0 - 22,0        | Nero - Black -<br>Schwarz | 10         |
| 18963PS01 | 49,0 | 45,2 | 39,7 | 25,0 | 5,1 | 23,0 - 26,0        | Nero - Black -<br>Schwarz | 10         |
| 18964PS01 | 49,0 | 45,2 | 39,7 | 25,0 | 5,1 | 26,0 - 30,0        | Nero - Black -<br>Schwarz | 10         |