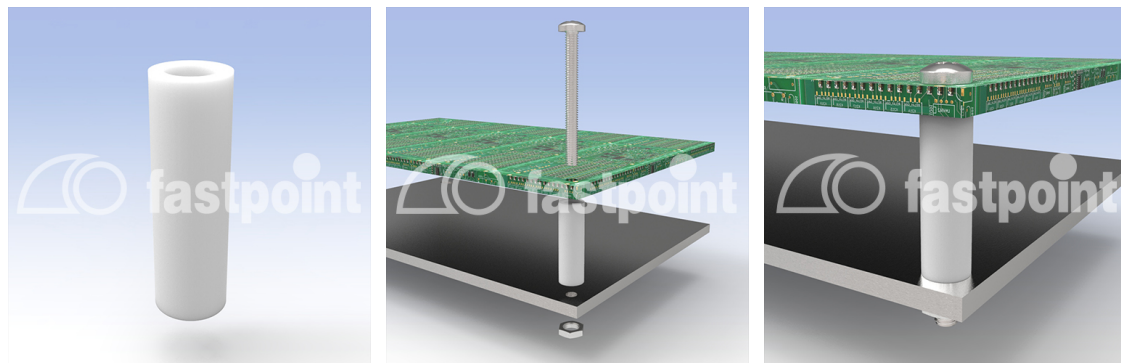


SELBSTHALTENDE DISTANZROLLE



Technische Beschreibung

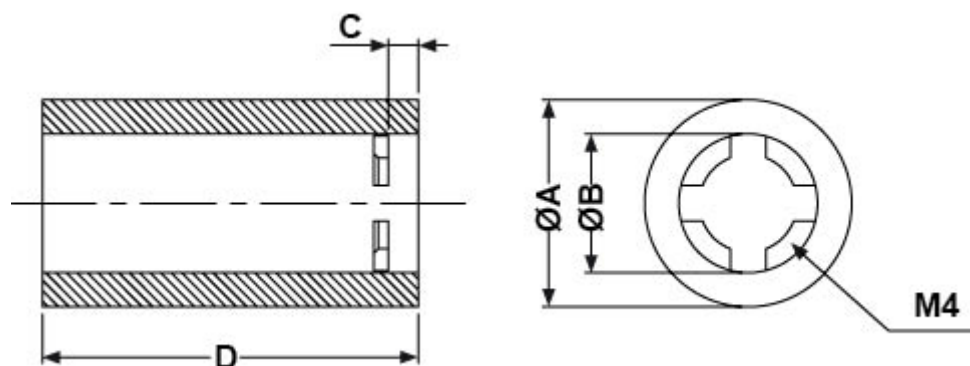
Material: PA 6.6

Entflammbarkeit: V2 (UL94)

Temperaturbereich: -35°C ~ +85°C

Farbe: Natur

*Alle Maße in mm



| Artikel | A | B | C | D | VPE-Stckz. |
|---------------|-----|-----|-----|-----|------------|
| 11455AA0001.5 | 7,0 | 4,7 | 1,0 | 1,5 | 2.000 |
| 11455AA0002.0 | 7,0 | 4,7 | 1,0 | 2,0 | 2.000 |
| 11455AA0003.0 | 7,0 | 4,7 | 1,0 | 3,0 | 2.000 |
| 11455AA0004.0 | 7,0 | 4,7 | 1,0 | 4,0 | 2.000 |
| 11455AA0005.0 | 7,0 | 4,7 | 1,0 | 5,0 | 2.000 |
| 11455AA0006.0 | 7,0 | 4,7 | 1,0 | 6,0 | 2.000 |
| 11455AA0006.3 | 7,0 | 4,7 | 1,0 | 6,3 | 2.000 |
| 11455AA0007.0 | 7,0 | 4,7 | 1,0 | 7,0 | 2.000 |

| Artikel | A | B | C | D | VPE-Stckz. |
|---------------|-----|-----|-----|------|------------|
| 11455AA0008.0 | 7,0 | 4,7 | 1,0 | 8,0 | 2.000 |
| 11455AA0009.0 | 7,0 | 4,7 | 1,0 | 9,0 | 2.000 |
| 11455AA0010.0 | 7,0 | 4,7 | 1,0 | 10,0 | 2.000 |
| 11455AA0011.0 | 7,0 | 4,7 | 1,0 | 11,0 | 2.000 |
| 11455AA0012.0 | 7,0 | 4,7 | 1,0 | 12,0 | 2.000 |
| 11455AA0013.0 | 7,0 | 4,7 | 1,0 | 13,0 | 2.000 |
| 11455AA0014.0 | 7,0 | 4,7 | 1,0 | 14,0 | 2.000 |
| 11455AA0015.0 | 7,0 | 4,7 | 1,0 | 15,0 | 2.000 |
| 11455AA0015.9 | 7,0 | 4,7 | 1,0 | 15,9 | 2.000 |
| 11455AA0016.0 | 7,0 | 4,7 | 1,0 | 16,0 | 2.000 |
| 11455AA0017.0 | 7,0 | 4,7 | 1,0 | 17,0 | 2.000 |
| 11455AA0018.0 | 7,0 | 4,7 | 1,0 | 18,0 | 2.000 |
| 11455AA0019.0 | 7,0 | 4,7 | 1,0 | 19,0 | 2.000 |
| 11455AA0020.0 | 7,0 | 4,7 | 1,0 | 20,0 | 1.000 |
| 11455AA0021.0 | 7,0 | 4,7 | 1,0 | 21,0 | 1.000 |
| 11455AA0022.0 | 7,0 | 4,7 | 1,0 | 22,0 | 1.000 |
| 11455AA0023.0 | 7,0 | 4,7 | 1,0 | 23,0 | 1.000 |
| 11455AA0024.0 | 7,0 | 4,7 | 1,0 | 24,0 | 1.000 |
| 11455AA0025.0 | 7,0 | 4,7 | 1,0 | 25,0 | 1.000 |
| 11455AA0025.4 | 7,0 | 4,7 | 1,0 | 25,4 | 1.000 |
| 11455AA0026.0 | 7,0 | 4,7 | 1,0 | 26,0 | 1.000 |
| 11455AA0027.0 | 7,0 | 4,7 | 1,0 | 27,0 | 1.000 |
| 11455AA0028.0 | 7,0 | 4,7 | 1,0 | 28,0 | 1.000 |
| 11455AA0029.0 | 7,0 | 4,7 | 1,0 | 29,0 | 1.000 |
| 11455AA0030.0 | 7,0 | 4,7 | 1,0 | 30,0 | 1.000 |