

# ABSTANDSHALTER MIT INNEN / AUSSENGEWINDE M4 & M5 / SW 8,0



## Technische Beschreibung

**Material:** PA 6.6

**Entflammbarkeit:** HB (UL94)

**Temperaturbereich:** -30°C ~ +130°C

**Farbe:** Schwarz

Auf Anfrage auch in der Farbe Weiß erhältlich. MOQ 5.000 Stück

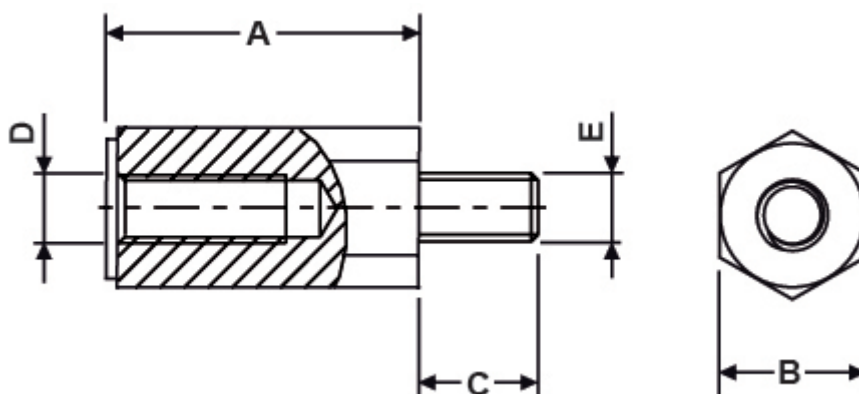
Auf Anfrage auch in V0 (UL94) erhältlich. MOQ 5.000 Stück

**Material:** PBT

**Temperaturbereich:** -30°C ~ +120°C

**Farbe:** Natur

\*Alle Maße in mm



Artikel	A	B	C	D	E	VPE-Stckz.
10020AA0105.0	5,0	8,0	6,0	M4	M5	500
10020AA0106.0	6,0	8,0	6,0	M4	M5	500

Artikel	A	B	C	D	E	VPE-Stckz.
10020AA0107.0	7,0	8,0	6,0	M4	M5	500
10020AA0108.0	8,0	8,0	6,0	M4	M5	500
10020AA0109.0	9,0	8,0	6,0	M4	M5	500
10020AA0110.0	10,0	8,0	6,0	M4	M5	500
10020AA0111.0	11,0	8,0	6,0	M4	M5	500
10020AA0112.0	12,0	8,0	6,0	M4	M5	500
10020AA0113.0	13,0	8,0	6,0	M4	M5	500
10020AA0114.0	14,0	8,0	6,0	M4	M5	500
10020AA0115.0	15,0	8,0	6,0	M4	M5	500
10020AA0116.0	16,0	8,0	6,0	M4	M5	500
10020AA0117.0	17,0	8,0	6,0	M4	M5	500
10020AA0118.0	18,0	8,0	6,0	M4	M5	500
10020AA0119.0	19,0	8,0	6,0	M4	M5	500
10020AA0120.0	20,0	8,0	6,0	M4	M5	500
10020AA0121.0	21,0	8,0	6,0	M4	M5	500
10020AA0122.0	22,0	8,0	6,0	M4	M5	500
10020AA0123.0	23,0	8,0	6,0	M4	M5	500
10020AA0124.0	24,0	8,0	6,0	M4	M5	500
10020AA0125.0	25,0	8,0	6,0	M4	M5	500
10020AA0126.0	26,0	8,0	6,0	M4	M5	500
10020AA0127.0	27,0	8,0	6,0	M4	M5	500
10020AA0128.0	28,0	8,0	6,0	M4	M5	500
10020AA0129.0	29,0	8,0	6,0	M4	M5	500
10020AA0130.0	30,0	8,0	6,0	M4	M5	500
10020AA0131.0	31,0	8,0	6,0	M4	M5	500
10020AA0132.0	32,0	8,0	6,0	M4	M5	500
10020AA0133.0	33,0	8,0	6,0	M4	M5	500
10020AA0134.0	34,0	8,0	6,0	M4	M5	500
10020AA0135.0	35,0	8,0	6,0	M4	M5	500
10020AA0136.0	36,0	8,0	6,0	M4	M5	500
10020AA0137.0	37,0	8,0	6,0	M4	M5	500

Artikel	A	B	C	D	E	VPE-Stckz.
10020AA0138.0	38,0	8,0	6,0	M4	M5	500
10020AA0139.0	39,0	8,0	6,0	M4	M5	500
10020AA0140.0	40,0	8,0	6,0	M4	M5	500
10020AA0141.0	41,0	8,0	6,0	M4	M5	500
10020AA0142.0	42,0	8,0	6,0	M4	M5	500
10020AA0143.0	43,0	8,0	6,0	M4	M5	500
10020AA0144.0	44,0	8,0	6,0	M4	M5	500
10020AA0145.0	45,0	8,0	6,0	M4	M5	500
10020AA0146.0	46,0	8,0	6,0	M4	M5	500
10020AA0147.0	47,0	8,0	6,0	M4	M5	500
10020AA0148.0	48,0	8,0	6,0	M4	M5	500
10020AA0149.0	49,0	8,0	6,0	M4	M5	500
10020AA0150.0	50,0	8,0	6,0	M4	M5	500
10020AA0151.0	51,0	8,0	6,0	M4	M5	500
10020AA0152.0	52,0	8,0	6,0	M4	M5	500
10020AA0153.0	53,0	8,0	6,0	M4	M5	500
10020AA0154.0	54,0	8,0	6,0	M4	M5	500
10020AA0155.0	55,0	8,0	6,0	M4	M5	500
10020AA0156.0	56,0	8,0	6,0	M4	M5	500
10020AA0157.0	57,0	8,0	6,0	M4	M5	500
10020AA0158.0	58,0	8,0	6,0	M4	M5	500
10020AA0159.0	59,0	8,0	6,0	M4	M5	500
10020AA0160.0	60,0	8,0	6,0	M4	M5	500
10020AA0161.0	61,0	8,0	6,0	M4	M5	500