

ABSTANDSHALTER MIT INNEN / AUßENGEWINDE M3 & M4 / SW 8,0



Technische Beschreibung

Material: PA 6.6

Entflammbarkeit: HB (UL94)

Temperaturbereich: -30°C ~ +130°C

Farbe: Schwarz

Auf Anfrage auch in der Farbe Weiß erhältlich. MOQ 5.000 Stück

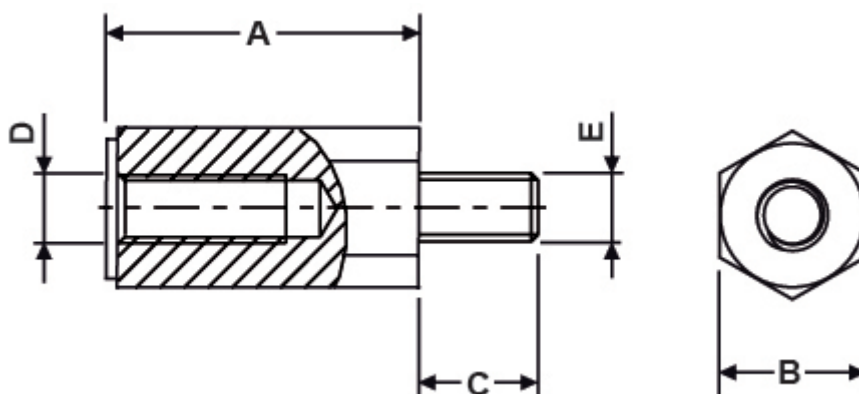
Auf Anfrage auch in V0 (UL 94) erhältlich. MOQ 5.000 Stück

Material: PBT

Temperaturbereich: -30°C ~ +120°C

Farbe: Natur

*Alle Maße in mm



Artikel	A	B	C	D	E	VPE-Stckz.
10019AA0105.0	5,0	8,0	8,0	M3	M4	500
10019AA0106.0	6,0	8,0	8,0	M3	M4	500

Artikel	A	B	C	D	E	VPE-Stckz.
10019AA0107.0	7,0	8,0	8,0	M3	M4	500
10019AA0108.0	8,0	8,0	8,0	M3	M4	500
10019AA0109.0	9,0	8,0	8,0	M3	M4	500
10019AA0110.0	10,0	8,0	8,0	M3	M4	500
10019AA0111.0	11,0	8,0	8,0	M3	M4	500
10019AA0112.0	12,0	8,0	8,0	M3	M4	500
10019AA0113.0	13,0	8,0	8,0	M3	M4	500
10019AA0114.0	14,0	8,0	8,0	M3	M4	500
10019AA0115.0	15,0	8,0	8,0	M3	M4	500
10019AA0116.0	16,0	8,0	8,0	M3	M4	500
10019AA0117.0	17,0	8,0	8,0	M3	M4	500
10019AA0118.0	18,0	8,0	8,0	M3	M4	500
10019AA0119.0	19,0	8,0	8,0	M3	M4	500
10019AA0120.0	20,0	8,0	8,0	M3	M4	500
10019AA0121.0	21,0	8,0	8,0	M3	M4	500
10019AA0122.0	22,0	8,0	8,0	M3	M4	500
10019AA0123.0	23,0	8,0	8,0	M3	M4	500
10019AA0124.0	24,0	8,0	8,0	M3	M4	500
10019AA0125.0	25,0	8,0	8,0	M3	M4	500
10019AA0126.0	26,0	8,0	8,0	M3	M4	500
10019AA0127.0	27,0	8,0	8,0	M3	M4	500
10019AA0128.0	28,0	8,0	8,0	M3	M4	500
10019AA0129.0	29,0	8,0	8,0	M3	M4	500
10019AA0130.0	30,0	8,0	8,0	M3	M4	500
10019AA0131.0	31,0	8,0	8,0	M3	M4	500
10019AA0132.0	32,0	8,0	8,0	M3	M4	500
10019AA0133.0	33,0	8,0	8,0	M3	M4	500
10019AA0134.0	34,0	8,0	8,0	M3	M4	500
10019AA0135.0	35,0	8,0	8,0	M3	M4	500
10019AA0136.0	36,0	8,0	8,0	M3	M4	500
10019AA0137.0	37,0	8,0	8,0	M3	M4	500

Artikel	A	B	C	D	E	VPE-Stckz.
10019AA0138.0	38,0	8,0	8,0	M3	M4	500
10019AA0139.0	39,0	8,0	8,0	M3	M4	500
10019AA0140.0	40,0	8,0	8,0	M3	M4	500
10019AA0141.0	41,0	8,0	8,0	M3	M4	500
10019AA0142.0	42,0	8,0	8,0	M3	M4	500
10019AA0143.0	43,0	8,0	8,0	M3	M4	500
10019AA0144.0	44,0	8,0	8,0	M3	M4	500
10019AA0145.0	45,0	8,0	8,0	M3	M4	500