

ABSTANDSHALTER I/A STAHL M3 / SW 6,0



Technische Beschreibung

Material: Stahl

Oberfläche: Verzinkt

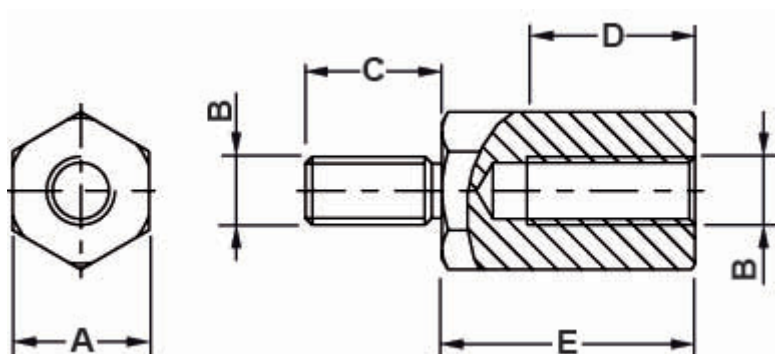
Freistich: DIN 76

Alle Maße sind in mm.

Andere Sonderlängen auf Anfrage.

Bei der Bestellung des Artikels, bitte die gewünschte Länge am Ende der Artikelbezeichnung

hinzufügen. Beispielbestellung: 10818MC9408.0 für den Abstandshalter 10818MC94 mit Länge 8,0 mm.



Artikel	A	B	C	D	E	VPE-Stckz.
10818MC9405.0	SW 6,0	M3	6,0	3,0	5,0	100
10818MC9408.0	SW 6,0	M3	6,0	6,0	8,0	100
10818MC9409.0	SW 6,0	M3	6,0	6,0	9,0	100
10818MC9410.0	SW 6,0	M3	6,0	6,0	10,0	100
10818MC9411.0	SW 6,0	M3	6,0	6,0	11,0	100
10818MC9412.0	SW 6,0	M3	6,0	6,0	12,0	100
10818MC9413.0	SW 6,0	M3	6,0	6,0	13,0	100
10818MC9414.0	SW 6,0	M3	6,0	6,0	14,0	100
10818MC9415.0	SW 6,0	M3	6,0	6,0	15,0	100

Artikel	A	B	C	D	E	VPE-Stckz.
10818MC9416.0	SW 6,0	M3	6,0	6,0	16,0	100
10818MC9417.0	SW 6,0	M3	6,0	6,0	17,0	100
10818MC9418.0	SW 6,0	M3	6,0	10,0	18,0	100
10818MC9419.0	SW 6,0	M3	6,0	10,0	19,0	100
10818MC9420.0	SW 6,0	M3	6,0	10,0	20,0	100
10818MC9425.0	SW 6,0	M3	6,0	10,0	25,0	100
10818MC9430.0	SW 6,0	M3	6,0	10,0	30,0	100
10818MC9435.0	SW 6,0	M3	6,0	10,0	35,0	100
10818MC9440.0	SW 6,0	M3	6,0	10,0	40,0	100
10818MC9445.0	SW 6,0	M3	6,0	10,0	45,0	100
10818MC9450.0	SW 6,0	M3	6,0	10,0	50,0	100
10818MC9460.0	SW 6,0	M3	6,0	10,0	60,0	100