

# ABSTANDSHALTER I/A MESSING M4 / SW 7,0



## Technische Beschreibung

**Material:** Messing

**Oberfläche:** Verzinkt

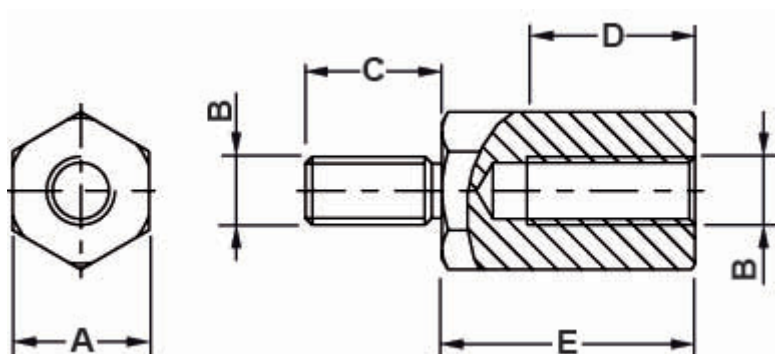
**Freistich:** DIN 76

Alle Maße sind in mm.

**Andere Sonderlängen auf Anfrage.**

**Bei der Bestellung des Artikels, bitte die gewünschte Länge am Ende der Artikelbezeichnung**

**hinzufügen. Beispielbestellung: 10786MA9208.0 für den Abstandshalter 10786MA92 mit Länge 8,0 mm.**



Artikel	A	B	C	D	E	VPE-Stckz.
10786MA9205.0	SW7,0	M4	8,0	3,0	5,0	100
10786MA9206.0	SW7,0	M4	8,0	3,0	6,0	100
10786MA9207.0	SW7,0	M4	8,0	3,0	7,0	100
10786MA9208.0	SW7,0	M4	8,0	3,0	8,0	100
10786MA9209.0	SW7,0	M4	8,0	6,0	9,0	100
10786MA9210.0	SW7,0	M4	8,0	6,0	10,0	100
10786MA9211.0	SW7,0	M4	8,0	6,0	11,0	100
10786MA9212.0	SW7,0	M4	8,0	6,0	12,0	100
10786MA9213.0	SW7,0	M4	8,0	8,0	13,0	100

Artikel	A	B	C	D	E	VPE-Stckz.
10786MA9214.0	SW7,0	M4	8,0	8,0	14,0	100
10786MA9215.0	SW7,0	M4	8,0	8,0	15,0	100
10786MA9216.0	SW7,0	M4	8,0	8,0	16,0	100
10786MA9217.0	SW7,0	M4	8,0	8,0	17,0	100
10786MA9218.0	SW7,0	M4	8,0	8,0	18,0	100
10786MA9219.0	SW7,0	M4	8,0	8,0	19,0	100
10786MA9220.0	SW7,0	M4	8,0	10,0	20,0	100
10786MA9221.0	SW7,0	M4	8,0	10,0	21,0	100
10786MA9222.0	SW7,0	M4	8,0	10,0	22,0	100
10786MA9223.0	SW7,0	M4	8,0	10,0	22,0	100
10786MA9224.0	SW7,0	M4	8,0	10,0	24,0	100
10786MA9225.0	SW7,0	M4	8,0	10,0	25,0	100
10786MA9230.0	SW7,0	M4	8,0	10,0	30,0	100
10786MA9235.0	SW7,0	M4	8,0	10,0	35,0	100
10786MA9240.0	SW7,0	M4	8,0	10,0	40,0	100
10786MA9245.0	SW7,0	M4	8,0	10,0	45,0	100
10786MA9250.0	SW7,0	M4	8,0	10,0	50,0	100
10786MA9255.0	SW7,0	M4	8,0	10,0	55,0	100
10786MA9260.0	SW7,0	M4	8,0	10,0	60,0	100
10786MA9265.0	SW7,0	M4	8,0	10,0	65,0	100
10786MA9270.0	SW7,0	M4	8,0	10,0	70,0	100
10786MA9275.0	SW7,0	M4	8,0	10,0	75,0	100
10786MA9280.0	SW7,0	M4	8,0	10,0	80,0	100
10786MA9285.0	SW7,0	M4	8,0	10,0	85,0	100
10786MA9290.0	SW7,0	M4	8,0	10,0	90,0	100
10786MA9295.0	SW7,0	M4	8,0	10,0	95,0	100