

# ABSTANDSHALTER D-SUB DIN 76



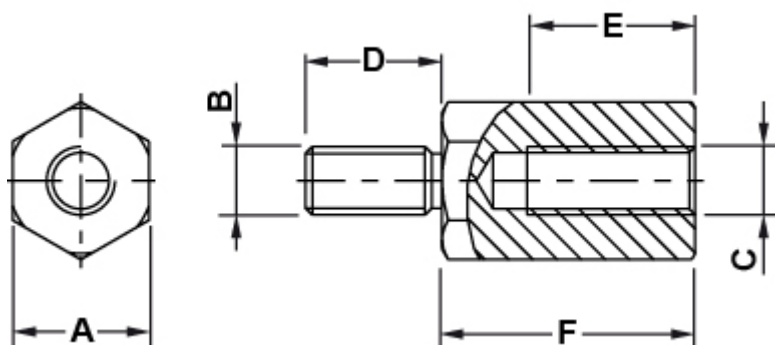
## Technische Beschreibung

**Material:** Messing

**Oberfläche:** Vernickelt

**Alle Maße sind in mm.**

**Freistich: DIN 76**



Artikel	A	B	C	D	E	F	VPE-Stckz.
10789MA92	SW5.0	UNC4.40	M3	4,0	3,0	5,0	100
10798MA92	SW5.0	UNC4.40	M3	8,0	3,0	5,0	100
10810MA92	SW5.0	UNC4.40	M3	8,0	4,0	6,0	100
10807MA92	SW5.0	UNC4.40	M3	6,0	4,0	6,0	100
10804MA92	SW5.0	UNC4.40	M3	12,0	3,0	5,0	100
10801MA92	SW5.0	UNC4.40	M3	10,0	3,0	5,0	100
10792MA92	SW5.0	UNC4.40	M3	5,0	3,0	5,0	100
10795MA92	SW5.0	UNC4.40	M3	6,0	3,0	5,0	100
10805MA92	SW5.0	UNC4.40	UNC4.40	12,0	3,0	5,0	100
10811MA92	SW5.0	UNC4.40	UNC4.40	8,0	4,0	6,0	100
10791MA92	SW5.0	M3	UNC4.40	4,0	3,0	5,0	100

Artikel	A	B	C	D	E	F	VPE-Stckz.
10809MA92	SW5.0	M3	UNC4.40	6,0	4,0	6,0	100
10808MA92	SW5.0	UNC4.40	UNC4.40	6,0	4,0	6,0	100
10806MA92	SW5.0	M3	UNC4.40	12,0	3,0	5,0	100
10793MA92	SW5.0	UNC4.40	UNC4.40	5,0	3,0	5,0	100
10796MA92	SW5.0	UNC4.40	UNC4.40	6,0	3,0	5,0	100
10803MA92	SW5.0	M3	UNC4.40	10,0	3,0	5,0	100
10802MA92	SW5.0	UNC4.40	UNC4.40	10,0	3,0	5,0	100
10790MA92	SW5.0	UNC4.40	UNC4.40	4,0	3,0	5,0	100
10800MA92	SW5.0	M3	UNC4.40	8,0	3,0	5,0	100
10799MA92	SW5.0	UNC4.40	UNC4.40	8,0	3,0	5,0	100
10794MA92	SW5.0	M3	UNC4.40	5,0	3,0	5,0	100
10797MA92	SW5.0	M3	UNC4.40	6,0	3,0	5,0	100
10812MA92	SW5.0	M3	UNC4.40	8,0	4,0	6,0	100