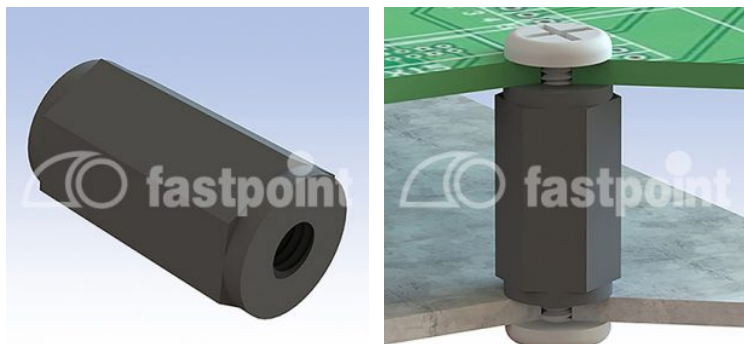


ABSTANDBOLZEN MIT INNEN/INNENGEWINDE M3 / SW 5,5



Technische Beschreibung

Material: PA 6, GV25%

Entflammbarkeit: HB (UL94)

Temperaturbereich: -30°C ~ +110°C

Farbe: Schwarz

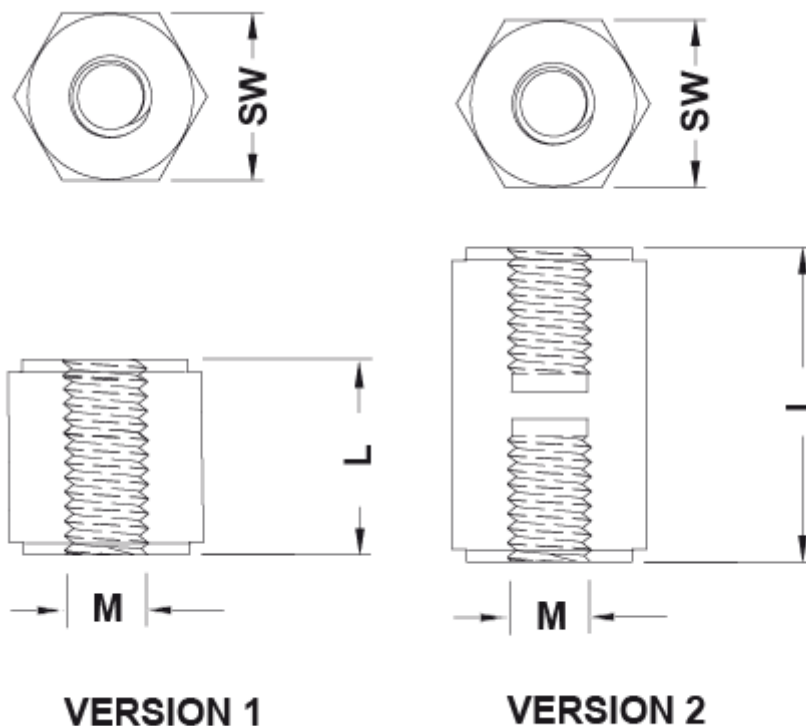
Auf Anfrage auch in V0(UL94) erhältlich. MOQ 5.000 Stück

Material: PA 6.6 GV25%

Temperaturbereich: -30°C ~ +120°C

Farbe: Rostbraun

**Alle Maße in mm*



| Artikel | L | M | SW | Type | VPE-Stckz. |
|--------------|------|----|-----|------|------------|
| 6912BB0105.0 | 5,0 | M3 | 5,5 | 1 | 500 |
| 6912BB0106.0 | 6,0 | M3 | 5,5 | 1 | 500 |
| 6912BB0107.0 | 7,0 | M3 | 5,5 | 1 | 500 |
| 6912BB0108.0 | 8,0 | M3 | 5,5 | 1 | 500 |
| 6912BB0109.0 | 9,0 | M3 | 5,5 | 1 | 500 |
| 6912BB0110.0 | 10,0 | M3 | 5,5 | 1 | 500 |
| 6912BB0111.0 | 11,0 | M3 | 5,5 | 1 | 500 |
| 6912BB0112.0 | 12,0 | M3 | 5,5 | 1 | 500 |
| 6912BB0113.0 | 13,0 | M3 | 5,5 | 1 | 500 |
| 6912BB0114.0 | 14,0 | M3 | 5,5 | 1 | 500 |
| 6912BB0115.0 | 15,0 | M3 | 5,5 | 1 | 500 |
| 6912BB0116.0 | 16,0 | M3 | 5,5 | 2 | 500 |
| 6912BB0117.0 | 17,0 | M3 | 5,5 | 2 | 500 |
| 6912BB0118.0 | 18,0 | M3 | 5,5 | 2 | 500 |
| 6912BB0119.0 | 19,0 | M3 | 5,5 | 2 | 500 |
| 6912BB0120.0 | 20,0 | M3 | 5,5 | 2 | 500 |

| Artikel | L | M | SW | Type | VPE-Stckz. |
|--------------|------|----|-----|------|------------|
| 6912BB0121.0 | 21,0 | M3 | 5,5 | 2 | 500 |
| 6912BB0122.0 | 22,0 | M3 | 5,5 | 2 | 500 |
| 6912BB0123.0 | 23,0 | M3 | 5,5 | 2 | 500 |
| 6912BB0124.0 | 24,0 | M3 | 5,5 | 2 | 500 |
| 6912BB0125.0 | 25,0 | M3 | 5,5 | 2 | 500 |
| 6912BB0126.0 | 26,0 | M3 | 5,5 | 2 | 500 |
| 6912BB0127.0 | 27,0 | M3 | 5,5 | 2 | 500 |
| 6912BB0128.0 | 28,0 | M3 | 5,5 | 2 | 500 |
| 6912BB0129.0 | 29,0 | M3 | 5,5 | 2 | 500 |
| 6912BB0130.0 | 30,0 | M3 | 5,5 | 2 | 500 |
| 6912BB0131.0 | 31,0 | M3 | 5,5 | 2 | 500 |
| 6912BB0132.0 | 32,0 | M3 | 5,5 | 2 | 500 |
| 6912BB0133.0 | 33,0 | M3 | 5,5 | 2 | 500 |
| 6912BB0134.0 | 34,0 | M3 | 5,5 | 2 | 500 |
| 6912BB0135.0 | 35,0 | M3 | 5,5 | 2 | 500 |
| 6912BB0136.0 | 36,0 | M3 | 5,5 | 2 | 500 |
| 6912BB0137.0 | 37,0 | M3 | 5,5 | 2 | 500 |
| 6912BB0138.0 | 38,0 | M3 | 5,5 | 2 | 500 |
| 6912BB0139.0 | 39,0 | M3 | 5,5 | 2 | 500 |
| 6912BB0140.0 | 40,0 | M3 | 5,5 | 2 | 500 |
| 6912BB0141.0 | 41,0 | M3 | 5,5 | 2 | 500 |
| 6912BB0142.0 | 42,0 | M3 | 5,5 | 2 | 500 |
| 6912BB0143.0 | 43,0 | M3 | 5,5 | 2 | 500 |
| 6912BB0144.0 | 44,0 | M3 | 5,5 | 2 | 500 |
| 6912BB0145.0 | 45,0 | M3 | 5,5 | 2 | 500 |
| 6912BB0146.0 | 46,0 | M3 | 5,5 | 2 | 500 |
| 6912BB0147.0 | 47,0 | M3 | 5,5 | 2 | 500 |
| 6912BB0148.0 | 48,0 | M3 | 5,5 | 2 | 500 |
| 6912BB0149.0 | 49,0 | M3 | 5,5 | 2 | 500 |
| 6912BB0150.0 | 50,0 | M3 | 5,5 | 2 | 500 |
| 6912BB0151.0 | 51,0 | M3 | 5,5 | 2 | 500 |

| Artikel | L | M | SW | Type | VPE-Stckz. |
|--------------|------|----|-----|------|------------|
| 6912BB0152.0 | 52,0 | M3 | 5,5 | 2 | 500 |
| 6912BB0153.0 | 53,0 | M3 | 5,5 | 2 | 500 |
| 6912BB0154.0 | 54,0 | M3 | 5,5 | 2 | 500 |
| 6912BB0155.0 | 55,0 | M3 | 5,5 | 2 | 500 |