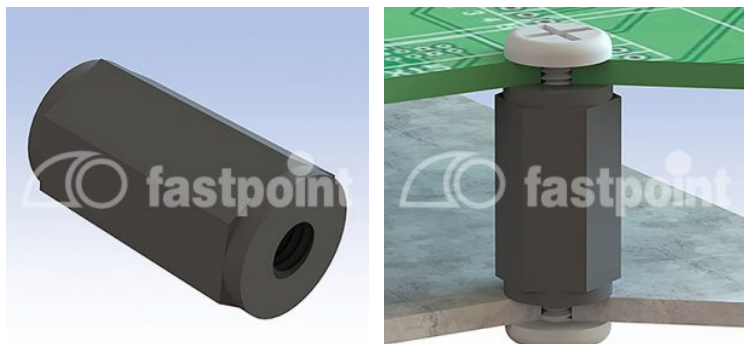


ABSTANDBOLZEN MIT INNEN/INNENGEWINDE M2,5 / SW 6,0



Technische Beschreibung

Material: PA 6 25 % C.V.

Entflammbarkeit: HB (UL 94)

Temperaturbereich: -30° ~ +110°C

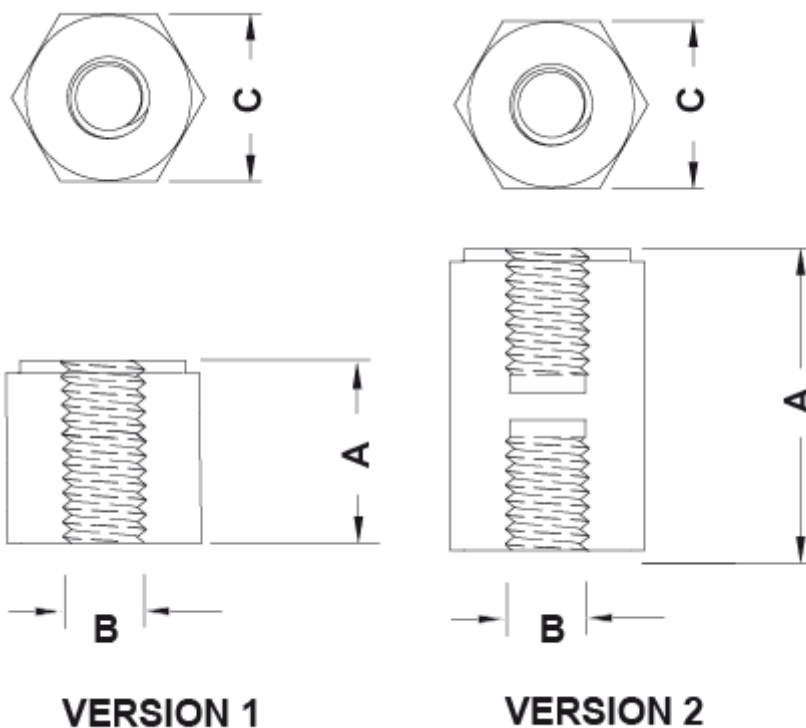
Farbe: Schwarz

Auf Anfrage in Material PA 6.6 UL90V0 lieferbar (Farbe: Braun)

Lieferbare Höhen in Stufen von je 1 mm - Sonderhöhen auf Anfrage.

Bei Bestellung des Artikels, bitte die gewünschte Länge am Ende der Artikelbezeichnung hinzufügen (z.B.: 6910BB0108,0 für h = 8,0 mm)

Alle Maße in mm



Artikel	A	B	C	Type	VPE-Stckz.
8159BB0104.0	4,0	M2,5	6,0	1	500
8159BB0105.0	5,0	M2,5	6,0	1	500
8159BB0106.0	6,0	M2,5	6,0	1	500
8159BB0107.0	7,0	M2,5	6,0	1	500
8159BB0108.0	8,0	M2,5	6,0	1	500
8159BB0109.0	9,0	M2,5	6,0	1	500
8159BB0110.0	10,0	M2,5	6,0	1	500
8159BB0111.0	11,0	M2,5	6,0	1	500
8159BB0112.0	12,0	M2,5	6,0	1	500
8159BB0113.0	13,0	M2,5	6,0	1	500
8159BB0114.0	14,0	M2,5	6,0	1	500
8159BB0115.0	15,0	M2,5	6,0	1	500
8159BB0116.0	16,0	M2,5	6,0	2	500
8159BB0117.0	17,0	M2,5	6,0	2	500
8159BB0118.0	18,0	M2,5	6,0	2	500
8159BB0119.0	19,0	M2,5	6,0	2	500

Artikel	A	B	C	Type	VPE-Stckz.
8159BB0120.0	20,0	M2,5	6,0	2	500
8159BB0121.0	21,0	M2,5	6,0	2	500
8159BB0122.0	22,0	M2,5	6,0	2	500
8159BB0123.0	23,0	M2,5	6,0	2	500
8159BB0124.0	24,0	M2,5	6,0	2	500
8159BB0125.0	25,0	M2,5	6,0	2	500
8159BB0126.0	26,0	M2,5	6,0	2	500
8159BB0127.0	27,0	M2,5	6,0	2	500
8159BB0128.0	28,0	M2,5	6,0	2	500
8159BB0129.0	29,0	M2,5	6,0	2	500
8159BB0130.0	30,0	M2,5	6,0	2	500
8159BB0131.0	31,0	M2,5	6,0	2	500
8159BB0132.0	32,0	M2,5	6,0	2	500
8159BB0133.0	33,0	M2,5	6,0	2	500
8159BB0134.0	34,0	M2,5	6,0	2	500
8159BB0135.0	35,0	M2,5	6,0	2	500
8159BB0136.0	36,0	M2,5	6,0	2	500
8159BB0137.0	37,0	M2,5	6,0	2	500
8159BB0138.0	38,0	M2,5	6,0	2	500
8159BB0139.0	39,0	M2,5	6,0	2	500
8159BB0140.0	40,0	M2,5	6,0	2	500
8159BB0141.0	41,0	M2,5	6,0	2	500
8159BB0142.0	42,0	M2,5	6,0	2	500
8159BB0143.0	43,0	M2,5	6,0	2	500
8159BB0144.0	44,0	M2,5	6,0	2	500
8159BB0145.0	45,0	M2,5	6,0	2	500
8159BB0146.0	46,0	M2,5	6,0	2	500
8159BB0147.0	47,0	M2,5	6,0	2	500
8159BB0148.0	48,0	M2,5	6,0	2	500
8159BB0149.0	49,0	M2,5	6,0	2	500
8159BB0150.0	50,0	M2,5	6,0	2	500

Artikel	A	B	C	Type	VPE-Stckz.
8159BB0151.0	51,0	M2,5	6,0	2	500
8159BB0152.0	52,0	M2,5	6,0	2	500
8159BB0153.0	53,0	M2,5	6,0	2	500
8159BB0154.0	54,0	M2,5	6,0	2	500
8159BB0155.0	55,0	M2,5	6,0	2	500