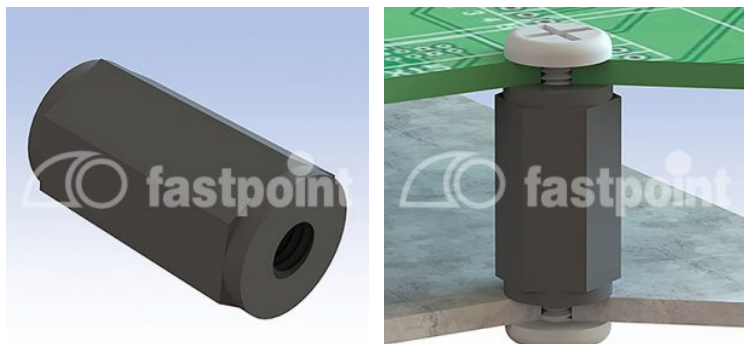


ABSTANDBOLZEN MIT INNEN/INNENGEWINDE M2 / SW 5,0



Technische Beschreibung

Material: PA 6 25 % C.V.

Entflammbarkeit: HB (UL 94)

Temperaturbereich: -30° ~ +110°C

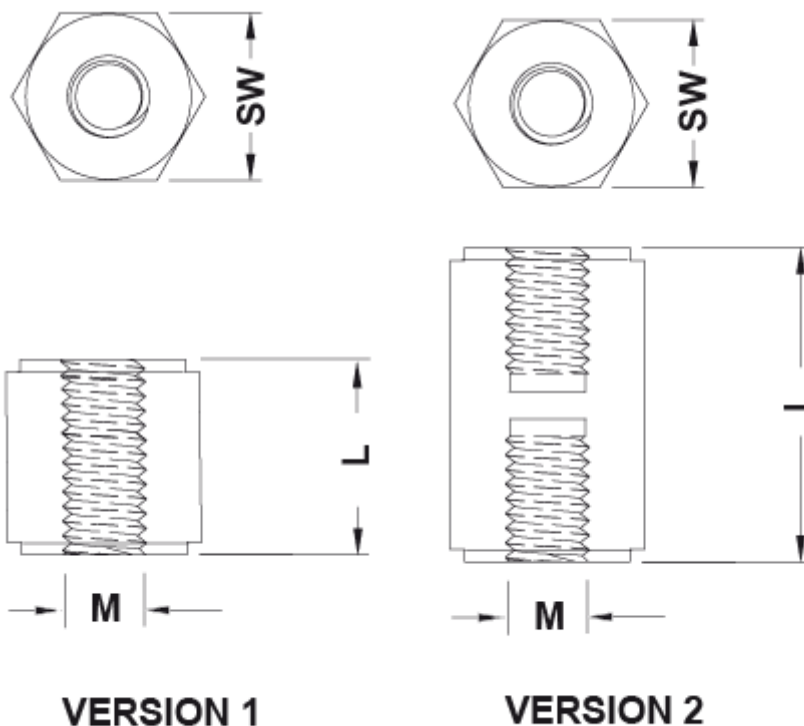
Farbe: Schwarz

Auf Anfrage in Material PA 6.6 UL90V0 lieferbar (Farbe: Braun)

Lieferbare Höhen in Stufen von je 1 mm - Sonderhöhen auf Anfrage.

Bei Bestellung des Artikels, bitte die gewünschte Länge am Ende der Artikelbezeichnung hinzufügen (z.B.: 6910BB0108,0 für h = 8,0 mm)

Alle Maße in mm



Artikel	L	M	SW	Type	VPE-Stckz.
6910BB0105.0	5,0	M2	5,0	1	500
6910BB0106.0	6,0	M2	5,0	1	500
6910BB0107.0	7,0	M2	5,0	1	500
6910BB0108.0	8,0	M2	5,0	1	500
6910BB0109.0	9,0	M2	5,0	1	500
6910BB0110.0	10,0	M2	5,0	1	500
6910BB0111.0	11,0	M2	5,0	1	500
6910BB0112.0	12,0	M2	5,0	1	500
6910BB0113.0	13,0	M2	5,0	1	500
6910BB0114.0	14,0	M2	5,0	1	500
6910BB0115.0	15,0	M2	5,0	2	500
6910BB0116.0	16,0	M2	5,0	2	500
6910BB0117.0	17,0	M2	5,0	2	500
6910BB0118.0	18,0	M2	5,0	2	500
6910BB0119.0	19,0	M2	5,0	2	500
6910BB0120.0	20,0	M2	5,0	2	500

Artikel	L	M	SW	Type	VPE-Stckz.
6910BB0121.0	21,0	M2	5,0	2	500
6910BB0122.0	22,0	M2	5,0	2	500
6910BB0123.0	23,0	M2	5,0	2	500
6910BB0124.0	24,0	M2	5,0	2	500
6910BB0125.0	25,0	M2	5,0	2	500
6910BB0126.0	26,0	M2	5,0	2	500
6910BB0127.0	27,0	M2	5,0	2	500
6910BB0128.0	28,0	M2	5,0	2	500
6910BB0129.0	29,0	M2	5,0	2	500
6910BB0130.0	30,0	M2	5,0	2	500
6910BB0131.0	31,0	M2	5,0	2	500
6910BB0132.0	32,0	M2	5,0	2	500
6910BB0133.0	33,0	M2	5,0	2	500
6910BB0134.0	34,0	M2	5,0	2	500
6910BB0135.0	35,0	M2	5,0	2	500
6910BB0136.0	36,0	M2	5,0	2	500
6910BB0137.0	37,0	M2	5,0	2	500
6910BB0138.0	38,0	M2	5,0	2	500
6910BB0139.0	39,0	M2	5,0	2	500
6910BB0140.0	40,0	M2	5,0	2	500
6910BB0141.0	41,0	M2	5,0	2	500
6910BB0142.0	42,0	M2	5,0	2	500
6910BB0143.0	43,0	M2	5,0	2	500
6910BB0144.0	44,0	M2	5,0	2	500
6910BB0145.0	45,0	M2	5,0	2	500