

ABSTANDHALTER SCHNAPPBAR BOHRUNG 3,0 LP- STÄRKE 1,6 / INNENGEWINDE M3



Technische Beschreibung

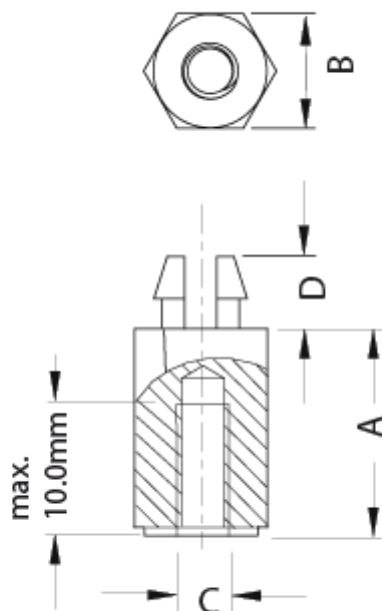
Material: PA 6.6

Farbe: schwarz

Entflammbarkeit: HB (UL 94)

Temperaturbereich: -30°C bis +150°C

Alle Maße sind in mm



Artikel	A	B	C	D	Bohrung	Stärke	VPE-Stckz.
10025AA0105.0	5,0	6,0	M3	3,6	Ø 3,0	1,6	500
10025AA0106.0	6,0	6,0	M3	3,6	Ø 3,0	1,6	500
10025AA0107.0	7,0	6,0	M3	3,6	Ø 3,0	1,6	500
10025AA0108.0	8,0	6,0	M3	3,6	Ø 3,0	1,6	500
10025AA0109.0	9,0	6,0	M3	3,6	Ø 3,0	1,6	500
10025AA0110.0	10,0	6,0	M3	3,6	Ø 3,0	1,6	500
10025AA0111.0	11,0	6,0	M3	3,6	Ø 3,0	1,6	500
10025AA0112.0	12,0	6,0	M3	3,6	Ø 3,0	1,6	500
10025AA0113.0	13,0	6,0	M3	3,6	Ø 3,0	1,6	500
10025AA0114.0	14,0	6,0	M3	3,6	Ø 3,0	1,6	500
10025AA0115.0	15,0	6,0	M3	3,6	Ø 3,0	1,6	500
10025AA0116.0	16,0	6,0	M3	3,6	Ø 3,0	1,6	500
10025AA0117.0	17,0	6,0	M3	3,6	Ø 3,0	1,6	500
10025AA0118.0	18,0	6,0	M3	3,6	Ø 3,0	1,6	500
10025AA0119.0	19,0	6,0	M3	3,6	Ø 3,0	1,6	500
10025AA0120.0	20,0	6,0	M3	3,6	Ø 3,0	1,6	500
10025AA0121.0	21,0	6,0	M3	3,6	Ø 3,0	1,6	500
10025AA0122.0	22,0	6,0	M3	3,6	Ø 3,0	1,6	500
10025AA0123.0	23,0	6,0	M3	3,6	Ø 3,0	1,6	500
10025AA0124.0	24,0	6,0	M3	3,6	Ø 3,0	1,6	500
10025AA0125.0	25,0	6,0	M3	3,6	Ø 3,0	1,6	500
10025AA0126.0	26,0	6,0	M3	3,6	Ø 3,0	1,6	500
10025AA0127.0	27,0	6,0	M3	3,6	Ø 3,0	1,6	500
10025AA0128.0	28,0	6,0	M3	3,6	Ø 3,0	1,6	500
10025AA0129.0	29,0	6,0	M3	3,6	Ø 3,0	1,6	500
10025AA0130.0	30,0	6,0	M3	3,6	Ø 3,0	1,6	500
10025AA0131.0	31,0	6,0	M3	3,6	Ø 3,0	1,6	500
10025AA0132.0	32,0	6,0	M3	3,6	Ø 3,0	1,6	500
10025AA0133.0	33,0	6,0	M3	3,6	Ø 3,0	1,6	500
10025AA0134.0	34,0	6,0	M3	3,6	Ø 3,0	1,6	500
10025AA0135.0	35,0	6,0	M3	3,6	Ø 3,0	1,6	500

Artikel	A	B	C	D	Bohrung	Stärke	VPE-Stckz.
10025AA0136.0	36,0	6,0	M3	3,6	Ø 3,0	1,6	500
10025AA0137.0	37,0	6,0	M3	3,6	Ø 3,0	1,6	500
10025AA0138.0	38,0	6,0	M3	3,6	Ø 3,0	1,6	500
10025AA0139.0	39,0	6,0	M3	3,6	Ø 3,0	1,6	500
10025AA0140.0	40,0	6,0	M3	3,6	Ø 3,0	1,6	500
10025AA0141.0	41,0	6,0	M3	3,6	Ø 3,0	1,6	500
10025AA0142.0	42,0	6,0	M3	3,6	Ø 3,0	1,6	500
10025AA0143.0	43,0	6,0	M3	3,6	Ø 3,0	1,6	500
10025AA0144.0	44,0	6,0	M3	3,6	Ø 3,0	1,6	500
10025AA0145.0	45,0	6,0	M3	3,6	Ø 3,0	1,6	500
10025AA0146.0	46,0	6,0	M3	3,6	Ø 3,0	1,6	500
10025AA0147.0	47,0	6,0	M3	3,6	Ø 3,0	1,6	500
10025AA0148.0	48,0	6,0	M3	3,6	Ø 3,0	1,6	500
10025AA0149.0	49,0	6,0	M3	3,6	Ø 3,0	1,6	500
10025AA0150.0	50,0	6,0	M3	3,6	Ø 3,0	1,6	500
10025AA0151.0	51,0	6,0	M3	3,6	Ø 3,0	1,6	500
10025AA0152.0	52,0	6,0	M3	3,6	Ø 3,0	1,6	500
10025AA0153.0	53,0	6,0	M3	3,6	Ø 3,0	1,6	500
10025AA0154.0	54,0	6,0	M3	3,6	Ø 3,0	1,6	500
10025AA0155.0	55,0	6,0	M3	3,6	Ø 3,0	1,6	500
10025AA0156.0	56,0	6,0	M3	3,6	Ø 3,0	1,6	500
10025AA0157.0	57,0	6,0	M3	3,6	Ø 3,0	1,6	500
10025AA0158.0	58,0	6,0	M3	3,6	Ø 3,0	1,6	500
10025AA0159.0	59,0	6,0	M3	3,6	Ø 3,0	1,6	500
10025AA0160.0	60,0	6,0	M3	3,6	Ø 3,0	1,6	500
10025AA0161.0	61,0	6,0	M3	3,6	Ø 3,0	1,6	500