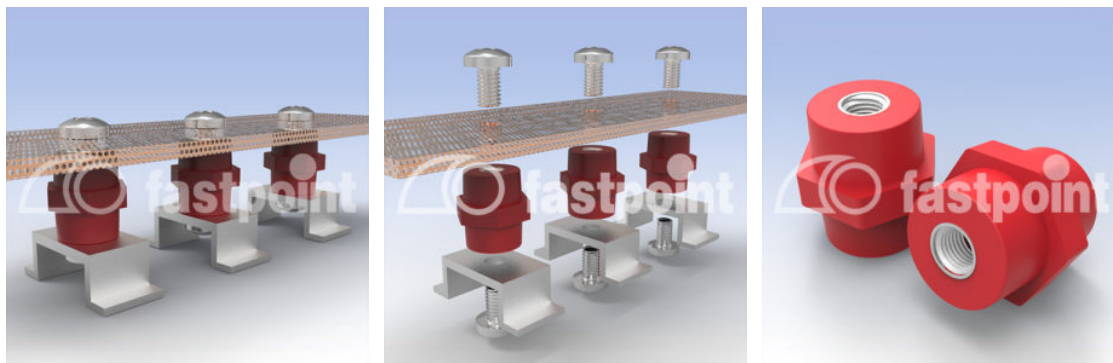


ABSTANDSHALTER ISOLATOR



Technische Beschreibung

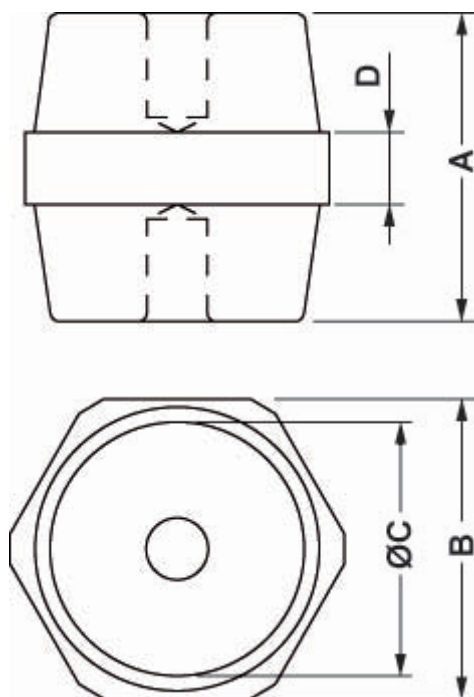
Material (Isolierkörper): Polyesterharz 15 % GF

Material (Gewindeinsätze): Stahl verzinkt

Temperaturbereich: -40° ~ +140°C

Farbe: Rot

Alle Maße in mm



Artikel	Gewinde	A	B	C	D	VPE-Stckz.
17953PT04	M8	25,0	22,0	Ø 18,0	6,0	600
22780PT04	M4	16,0	15,0	12,0	4,0	1.000
22781PT04	M4	20,0	19,0	16,0	5,0	750

Artikel	Gewinde	A	B	C	D	VPE-Stckz.
22782PT04	M4	25,0	22,0	18,0	6,0	600
22800PT04	M5	16,0	15,0	12,0	4,0	1.500
22801PT04	M5	20,0	19,0	16,0	5,0	500
22802PT04	M5	25,0	19,0	15,0	5,0	750
22806PT04	M5	25,0	22,0	18,0	6,0	600
22821PT04	M6	20,0	19,0	16,0	5,0	750
22822PT04	M6	25,0	19,0	15,0	5,0	600
22823PT04	M6	25,0	22,0	18,0	6,0	400
22825PT04	M6	30,0	30,0	25,0	7,0	300
22827PT04	M6	35,0	32,0	28,5	10,0	400
22829PT04	M6	50,0	36,0	29,0	12,0	240
22866PT04	M8	30,0	30,0	25,0	7,0	400
22867PT04	M8	35,0	32,0	28,5	10,0	320
22868PT04	M8	30,0	40,0	33,5	8,0	300
22869PT04	M8	35,0	40,0	33,0	10,0	300
22872PT04	M8	40,0	46,0	40,0	12,0	200
22873PT04	M8	45,0	46,0	39,5	13,0	200
22874PT04	M8	50,0	36,0	29,0	12,0	240
22875PT04	M8	50,0	50,0	45,0	15,0	120
22876PT04	M8	60,0	60,0	49,5	15,0	80
22878PT04	M8	75,0	50,0	38,5	16,0	200
22880PT04	M10	30,0	30,0	25,0	7,0	400
22881PT04	M10	30,0	40,0	33,5	8,0	400
22882PT04	M10	35,0	32,0	28,5	10,0	320
22883PT04	M10	35,0	40,0	33,0	10,0	300
22886PT04	M10	40,0	46,0	40,0	12,0	200
22887PT04	M10	45,0	46,0	39,5	13,0	200
22888PT04	M10	50,0	36,0	29,0	12,0	240
22889PT04	M10	50,0	46,0	37,0	10,0	200
22890PT04	M10	50,0	50,0	45,0	15,0	120
22891PT04	M10	60,0	60,0	49,5	15,0	80

Artikel	Gewinde	A	B	C	D	VPE-Stckz.
22893PT04	M10	70,0	60,0	52,0	14,0	60
22894PT04	M10	75,0	50,0	38,5	16,0	120
22901PT04	M12	40,0	46,0	40,0	12,0	200
22902PT04	M12	45,0	46,0	39,5	13,0	200
22903PT04	M12	50,0	50,0	45,0	15,0	120
22905PT04	M12	70,0	60,0	52,0	14,0	60
22906PT04	M12	75,0	50,0	38,5	16,0	80
22910PT04	M16	70,0	60,0	52,0	14,0	80